



To contact LG Electronics, 24 hours a day,
7 days a week:

1-800-243-0000

Or visit us on the Web at: ***us.lge.com***

Número telefónico de LG Electronics, las 24
horas del día, 7 días a la semana:

1-800-243-0000

O visítenos en la Web en: ***us.lge.com***

STEAM WASHER™

USER'S GUIDE & INSTALLATION INSTRUCTIONS

Before beginning installation, read these instructions carefully. This will simplify installation and ensure that the washer is installed correctly and safely. Leave these instructions near the washer after installation for future reference.

STEAM WASHER™

LAVADORA

GUÍA DEL USUARIO E INSTRUCCIONES DE INSTALACIÓN

Antes de comenzar la instalación, lea atentamente estas instrucciones. Esto simplificará la instalación y asegurará que la lavadora está instalada en forma correcta y segura.

Conserve estas instrucciones cerca de la lavadora luego de la instalación para futuras consultas.

Model/Modelo

WM0742H*A



Designed specially to use only
HE (High-Efficiency) detergent

Diseñada específicamente para
usar con el detergente tipo HE
(Alta eficiencia)



Protocol P172
**Sanitization Performance of Residential and
Commercial, Family Sized Clothes Washers**

Protocolo P172

Ejecucion de Saneamiento en la zona
residencial y comercial, lavadoras del uso del hogar



INTRODUCTION

IMPORTANT SAFETY INSTRUCTIONS

Basic Safety Precautions 3-6

PARTS AND FEATURES

Special Features 7
Key Parts and Components 8

INSTALLATION INSTRUCTIONS

Choose the Proper Location 9
Clearances 9
Flooring 10
Unpacking and Removing Shipping Bolts 11
Connecting the Water Lines 12
Connecting the Drain Line 13
Leveling the Washer 14

HOW TO USE

Sorting Wash Loads 15
Selecting Detergent 16
About the Dispenser 16
Loading the dispenser 17
Control Panel Features 18
Cycle Guide 19
The Time and Status Display 20
Operating the Washer 21
Steam Cycles 22
Cycle Setting Buttons 23
Custom Program 24
Cycle Option Buttons 25
Special Functions 26

CARE AND CLEANING

Regular Cleaning 27
Cleaning the Washer 28
Maintenance 29-30

TROUBLESHOOTING

Normal Sounds You May Hear 31
Before Calling for Service 31-33

SPECIFICATIONS

Key Dimensions and Specifications 34

WARRANTY 35

THANK YOU!

Congratulations on your purchase
and welcome to the LG family.

Your new LG Steam Washer™
combines the most advanced
washing technology with simple
operation and high efficiency.

By following the operating and care
instructions in this manual, your
washer will provide you with many
years of reliable service.

Product Registration Information

Model:

Serial Number:

Date of Purchase:

The model and serial number can be located on
the rating plate on the front of the washer.



IMPORTANT SAFETY INSTRUCTIONS

READ ALL INSTRUCTIONS BEFORE USE

⚠️ WARNING For your safety, the information in this manual must be followed to minimize the risk of fire or explosion, electric shock, or to prevent property damage, personal injury, or loss of life.

Your Safety and the safety of others is very important.

We have provided many important safety messages in this manual and on your appliance. Always read and obey all safety messages.



This is the safety alert symbol.

This symbol alerts you to potential hazards that can kill or hurt you and others.

All safety messages will follow the safety alert symbol and either the word DANGER or WARNING.

These words mean:

⚠️ DANGER: You can be killed or seriously injured if you don't immediately follow instructions.

⚠️ WARNING: You can be killed or seriously injured if you don't follow instructions.

All safety messages will tell you what the potential hazard is, tell you how to reduce the chance of injury, and tell you what can happen if the instructions are not followed.

IMPORTANT SAFETY INSTRUCTIONS

READ ALL INSTRUCTIONS BEFORE USE

⚠️ WARNING For your safety, the information in this manual must be followed to minimize the risk of fire or explosion, electric shock, or to prevent property damage, personal injury, or loss of life.

BASIC SAFETY PRECAUTIONS

⚠️ WARNING: To reduce the risk of fire, electric shock, or injury to persons when using this appliance, follow basic precautions, including the following.

- Before use, the washer must be properly installed as described in this manual.
- Do not wash articles that have been previously cleaned in, washed in, soaked in, or spotted with gasoline, dry cleaning solvents, or other flammable or explosive substances, as they give off vapors that could ignite or explode.
- Do not add gasoline, dry cleaning solvents, or other flammable or explosive substances to the wash water. These substances give off vapors that could ignite or explode.
- Under certain conditions, hydrogen gas may be produced in a hot water system that has not been used for 2 weeks or more. **HYDROGEN GAS IS EXPLOSIVE.** If the hot water system has not been used for such a period, before using the washer, turn on all hot water faucets and let the water flow from each for several minutes. This will release any accumulated hydrogen gas. As the gas is flammable, do not smoke or use an open flame during this time.
- Do not allow children to play on or in the washer. Close supervision of children is necessary when the washer is used near children.
- Before the washer is removed from service or discarded, remove the door to prevent children from climbing inside.
- Do not install or store the washer where it will be exposed to the weather or freezing temperatures.
- Do not tamper with controls.
- Do not repair or replace any part of the washer or attempt any servicing other than as described in this manual. We strongly recommend that any service be performed by a qualified individual.
- See Installation Instructions for grounding requirements.
- ALWAYS follow the fabric care instructions supplied by the garment manufacturer.
- Do not place items exposed to cooking oil in your washer. Items contaminated with cooking oils may contribute to a chemical reaction that could cause a load to catch fire.
- Use fabric softeners or products to eliminate static only as recommended by the manufacturer.
- This washer is not designed for maritime use or for mobile installations such as in RVs, aircraft, etc.
- Turn off the water taps and unplug the washer if the machine is to be left for an extended period of time, such as during vacations.
- Packaging material can be dangerous for children. There is a risk of suffocation! Keep all packaging from children.
- Always check the inside of the washer for foreign objects before loading laundry. Keep the door closed when not in use.

GROUNDING INSTRUCTIONS

This appliance must be grounded. In the event of malfunction or breakdown, grounding will reduce the risk of electric shock by providing a path of least resistance for electric current. This appliance is equipped with a cord having an equipment-grounding conductor and grounding plug. The plug must be plugged into an appropriate outlet that is properly installed and grounded in accordance with all local codes and ordinances.

⚠️ WARNING: Improper connection of the equipment-grounding conductor can result in risk of electric shock. Check with a qualified electrician or serviceman if you are in doubt as to whether the appliance is properly grounded. Do not modify the plug provided with the appliance. If it does not fit the outlet, have a proper outlet installed by a qualified electrician. Failure to follow these warnings can cause serious injury, fire, electrical shock, or death.

IMPORTANT SAFETY INSTRUCTIONS

READ ALL INSTRUCTIONS BEFORE USE

⚠WARNING For your safety, the information in this manual must be followed to minimize the risk of fire or explosion, electric shock, or to prevent property damage, personal injury, or loss of life.

SAFETY INSTRUCTIONS FOR INSTALLATION

⚠WARNING: To reduce the risk of fire, electric shock, or injury to persons when using this appliance, follow basic precautions, including the following.

- **Refer to INSTALLATION INSTRUCTIONS for detailed grounding procedures.** Installation instructions are packed in the washer for installer's reference. If the washer is moved to a new location, have it checked and reinstalled by a qualified service person. Failure to follow this warning can cause serious injury, fire, electrical shock, or death.
- **Do not, under any circumstances, cut or remove the third (ground) prong from the power cord.** Failure to follow this warning can cause serious injury, fire, electrical shock, or death.
- **For personal safety, this appliance must be properly grounded.** Failure to follow this warning can cause serious injury, fire, electrical shock, or death.
- **The power cord of this appliance is equipped with a 3-prong (grounding) plug which mates with a standard 3-prong (grounding) wall outlet** to minimize the possibility of electric shock hazard from this appliance.
- **This washer must be plugged into a 120VAC, 60Hz grounded outlet.** Failure to follow this warning can cause serious injury, fire, electrical shock, or death.
- **Have the wall outlet and circuit checked by a qualified electrician to make sure the outlet is properly grounded.** Failure to follow this warning can cause serious injury, fire, electrical shock, or death.
- **Where a standard 2-prong wall outlet is encountered, it is your personal responsibility and obligation to have it replaced with a properly grounded 3-prong wall outlet.** Failure to follow this warning can cause serious injury, fire, electrical shock, or death.
- **Do not install on carpet. Install washer on a solid floor.** Failure to follow this warning can cause serious leak damage.
- **Do not remove ground prong. Do not use an adapter or extension cord. Plug into a grounded 3-prong outlet.** Failure to follow these warnings can cause serious injury, fire, electrical shock, or death.
- **The washer should always be plugged into its own individual electrical outlet which has a voltage rating that matches the rating plate.** This provides the best performance and also prevents overloading house wiring circuits which could cause a fire hazard from overheated wires.
- **Never unplug your washer by pulling on the power cord.** Always grip plug firmly and pull straight out from the outlet. Failure to follow this warning can cause serious injury, fire, electrical shock, or death.
- **Repair or replace immediately all power cords that have become frayed or otherwise damaged. Do not use a cord that shows cracks or abrasion damage along its length or at either end.** Failure to follow this warning can cause serious injury, fire, electrical shock, or death.
- **When installing or moving the washer, be careful not to pinch, crush, or damage the power cord.** Failure to follow this warning can cause serious injury, fire, electrical shock, or death.
- **The washer must be installed and electrically grounded by a qualified service person in accordance with local codes** to prevent shock hazard and assure stability during operation.
- **Washer is heavy. Two or more people may be needed to install and move the appliance.** Failure to do so can result in back or other injury.
- **Store and install the washer where it will not be exposed to temperatures below freezing or exposed to outdoor weather conditions.** Failure to follow this warning can cause serious leak damage.
- **Do not install the washer in humid spaces to reduce the risk of electric shock.** Failure to follow this warning can cause serious injury, fire, electrical shock, or death.

IMPORTANT SAFETY INSTRUCTIONS

READ ALL INSTRUCTIONS BEFORE USE

⚠️ WARNING For your safety, the information in this manual must be followed to minimize the risk of fire or explosion, electric shock, or to prevent property damage, personal injury, or loss of life.

SAFETY INSTRUCTIONS FOR USE, CARE AND CLEANING, AND DISPOSAL

⚠️ WARNING: To reduce the risk of fire, electric shock, or injury to persons when using this appliance, follow basic precautions, including the following.

- **Unplug the washer before cleaning** to avoid the risk of electric shock.
- **Never use harsh chemicals, abrasive cleaners, or solvents to clean the washer.** They will damage the finish.
- **Do not put oily or greasy rags or clothing on top of the washer.** These substances give off vapors that could ignite the materials.
- **Do not wash items that are soiled with vegetable or cooking oil.** These items may contain some oil after laundering. Due to the remaining oil, the fabric may smoke or catch fire by itself.
- **Disconnect this appliance from the power supply before attempting any user maintenance.** Turning the controls to the OFF position does not disconnect this appliance from the power supply. Failure to follow this warning can cause serious injury, fire, electrical shock, or death.
- **Do not combine laundry products for use in one load unless specified on the label.**
- **Do not mix chlorine bleach with ammonia or acids such as vinegar. Follow package directions when using laundry products.** Incorrect usage can produce poisonous gas, resulting in serious injury or death.
- **Do not reach into the washer while parts are moving. Before loading, unloading, or adding items, push in the cycle selector knob and allow the drum to coast to a complete stop before reaching inside.** Failure to follow this warning can cause serious injury, fire, electrical shock, or death.
- **Do not allow children to play on or in the washer. Close supervision of children is necessary when the washer is used near children. As children grow, teach them the proper, safe use of all appliances.** Failure to comply with these warnings could result in serious personal injuries.
- **Destroy the carton, plastic bag, and other packing materials after the washer is unpacked. Children might use them for play. Cartons covered with rugs, bedspreads, or plastic sheets can become airtight chambers.** Failure to comply with these warnings could result in serious personal injuries.
- **Keep laundry products out of children's reach. To prevent personal injury, observe all warnings on product labels.** Failure to comply with these warnings could result in serious personal injuries.
- **Remove the door to the washing compartment to avoid the danger of children or small animals getting trapped inside before your washer is removed from service or discarded.** Failure to do so can result in serious personal injury or death.

SAVE THESE INSTRUCTIONS

PARTS AND FEATURES

SPECIAL FEATURES

1 DETERGENT DISPENSER

This four-compartment drawer provides separate dispensers for prewash and main wash detergent, liquid bleach, and liquid fabric softener.

2 CONTROL PANEL WITH LED DISPLAY

Simple electronic controls are user-friendly. The LED display indicates cycle options and cycle time during operation.

3 EASY-ACCESS LOCKING DOOR

Extra-large door locks during operation and features a delay to prevent the door from being opened until the washer interior has cooled and the water level has lowered.

4 HIGH-EFFICIENCY STEAM CYCLES

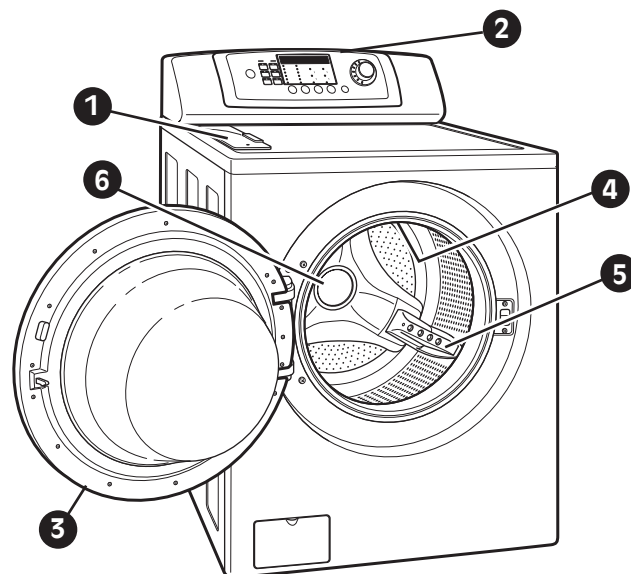
During LG's unique high-efficiency STEAM cycles, the steam nozzle injects fabrics with hot steam to gently remove tough stains.

5 ROLLERJETS

The RollerJet system enhances wash performance while reducing fabric wear. Integrated jets spray clothes to further improve washing efficiency.

6 DIRECT-DRIVE MOTOR

Direct-drive motor eliminates the belt and pulleys found on most washers to provide improved performance and reliability while increasing energy efficiency.



PARTS AND FEATURES

KEY PARTS AND COMPONENTS

In addition to the special features and components outlined in the *Special Features* section, there are several other important components that are referenced in this manual.

1 ULTRA-CAPACITY STAINLESS STEEL DRUM

The ultra-large stainless steel drum offers extreme durability and is tilted to improve efficiency and allow easier access for large items.

2 WATER CIRCULATION AND STEAM NOZZLES

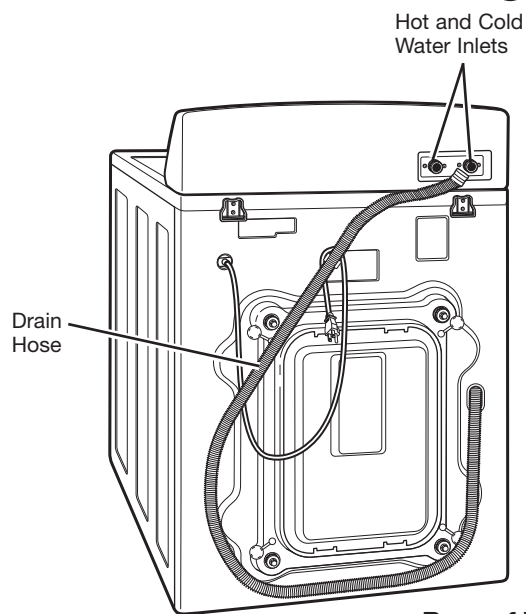
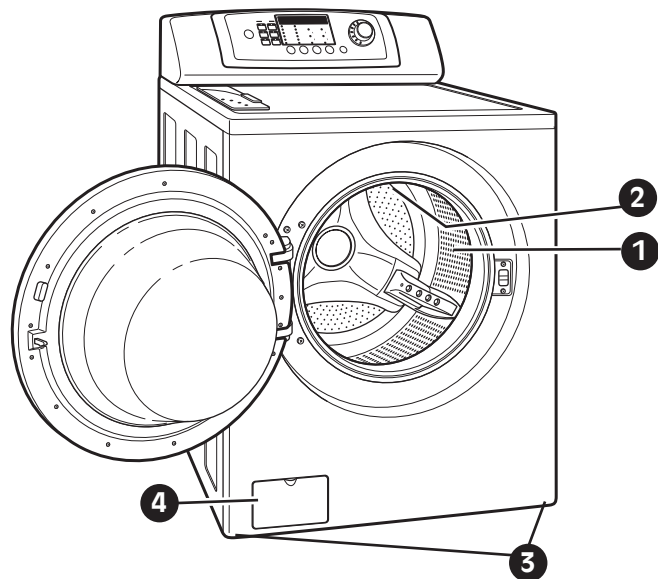
The water circulation nozzles spray the water/detergent solution directly onto garments for super cleaning performance. During LG's unique high-efficiency STEAM cycles, the steam nozzle injects fabrics with hot steam to gently remove tough stains.

3 LEVELING FEET

Four leveling feet (two in the front and two in the back) adjust to improve washer stability on uneven floors.

4 DRAIN ACCESS PANEL

Provides access to the drain line and drain pump filter.



Included Accessories



Hot and Cold Water Hoses



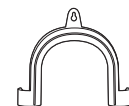
Caps (4)
(for covering shipping bolt holes)



Wrench
(for removing shipping bolts and adjusting leveling feet)



Tie Strap
(for securing drain hose)



Elbow Bracket
(for securing drain hose)

INSTALLATION INSTRUCTIONS

CHOOSE THE PROPER LOCATION

⚠ WARNING

- **Washer is heavy! Two or more people are required when moving and unpacking the washer.** Failure to do so can result in back or other injury.
- **Store and install the washer where it will not be exposed to temperatures below freezing or exposed to outdoor weather conditions.** Failure to follow this warning can cause serious injury, fire, electrical shock, or death.
- **Properly ground washer to conform with all governing codes and ordinances.** Failure to follow this warning can cause serious injury, fire, electrical shock, or death.
- **To reduce the risk of electric shock, do not install the washer in humid spaces.** Failure to follow this warning can cause serious injury, fire, electrical shock, or death.
- The base opening must not be obstructed by carpeting when the washer is installed on a carpeted floor.

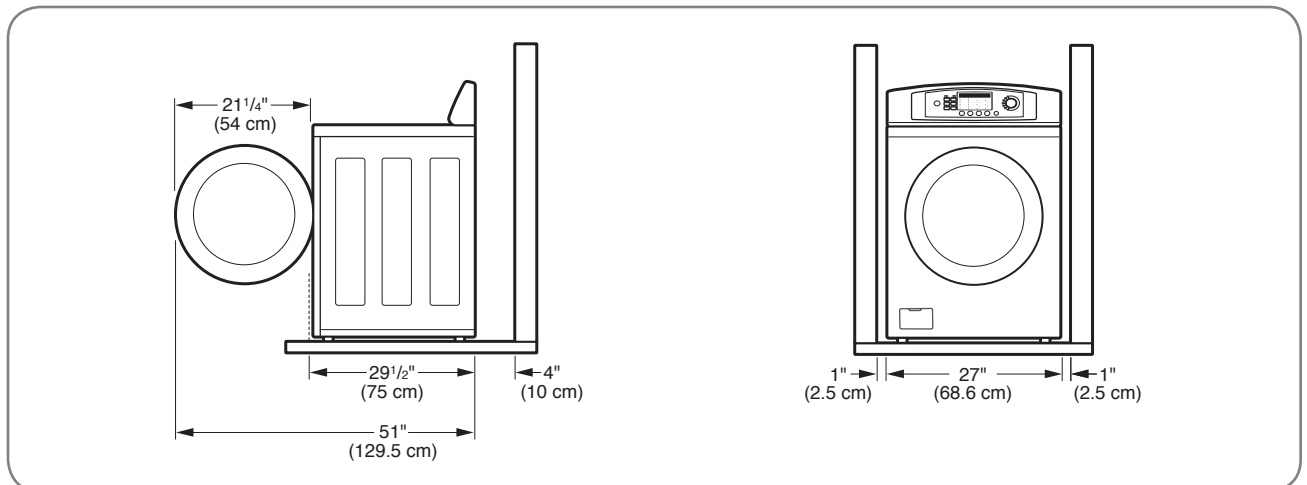
- **Do not remove ground prong. Do not use an adapter or extension cord. Plug into a grounded 3-prong outlet.** Failure to follow this warning can cause serious injury, fire, electrical shock, or death.

Power Outlet

- The power outlet must be within 60 in. (1.5 m) of either side of the washer.
- The appliance and outlet must be positioned so that the plug is easily accessible.
- Do not overload the outlet with more than one appliance.
- The outlet must be grounded in accordance with current wiring codes and regulations.
- Time-delay fuse or circuit breaker is recommended.

NOTE: It is the personal responsibility and obligation of the product owner to have a proper outlet installed by a qualified electrician.

CLEARANCES



To ensure sufficient clearance for water lines and airflow, allow minimum clearances of at least 1 in. (2.5 cm) at the sides and 4 in. (10 cm) behind the unit. Be sure to allow for wall, door, or floor moldings that may increase the required clearances.

Allow at least 24 in. (61.2 cm) in front of the washer to open the door.

INSTALLATION INSTRUCTIONS

FLOORING

- To minimize noise and vibration, the washer **MUST** be installed on a solidly constructed floor. See the NOTE at right.
- Allowable slope under the entire washer is 1° maximum.
- Carpeting and soft tile surfaces are not recommended.
- Never install the washer on a platform or weakly supported structure.

NOTE: Please note that the floor must be strong and rigid enough to support the weight of the washer when fully loaded, without flexing or bouncing. If your floor has too much flex in it, you may need to reinforce it to make it more rigid. A floor that is adequate for a top-loading washer may not be rigid enough for a front-loading washer, due to the difference in the spin speed and direction. If the floor is not solid, your washer may vibrate and you may hear and feel the vibration throughout your house.

INSTALLATION INSTRUCTIONS

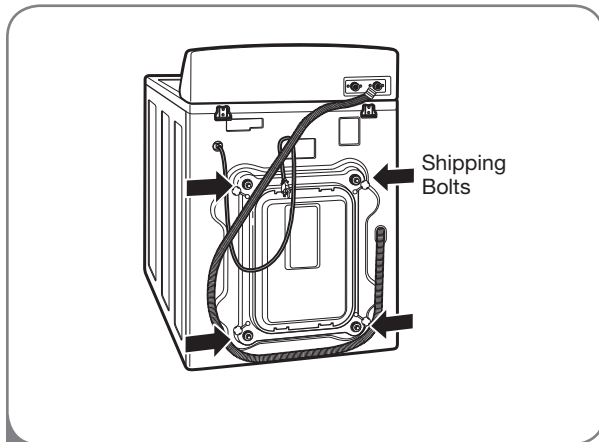
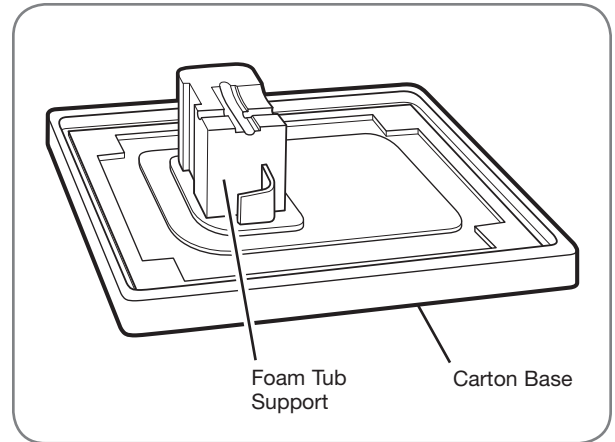
UNPACKING AND REMOVING SHIPPING BOLTS

When removing the washer from the carton base, be sure to remove the foam tub support in the middle of the carton base.

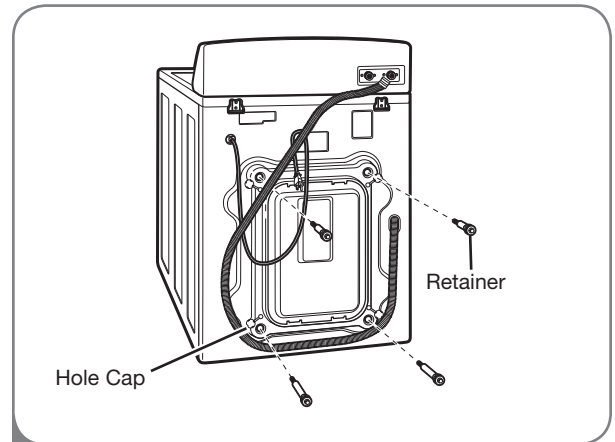
If you must lay the washer down to remove the base packaging materials, always lay it carefully on its side. Do NOT lay the washer on its front or back.

IMPORTANT: To prevent internal damage during transport, the washer is equipped with 4 shipping bolts and plastic retainers. These bolts and retainers **MUST** be removed before operating the washer.

- Failure to remove shipping bolts and retainers may cause severe vibration and noise, which can lead to permanent damage to the washer. The cord is secured to the back of the washer with a shipping bolt to help prevent operation with shipping bolts in place.



- 1 Starting with the bottom 2 shipping bolts, use the included wrench to remove the 4 shipping bolts by turning them counterclockwise.



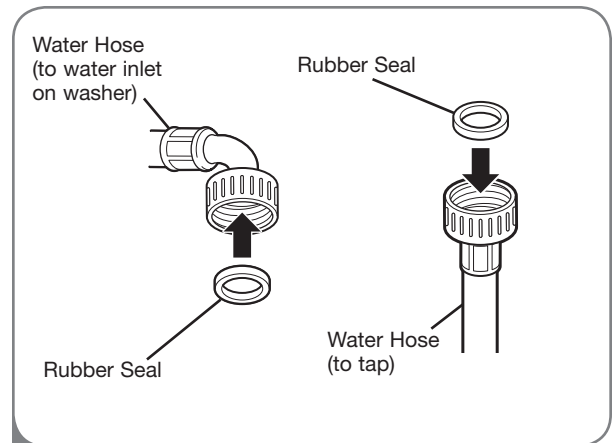
- 2 Remove the retainers by turning them slightly while pulling. Rotate and press the hole caps into the shipping bolt holes.

NOTE: Save the bolts and retainers for future use. To prevent damage to internal components, the shipping bolts and retainers must be installed when transporting the washer.

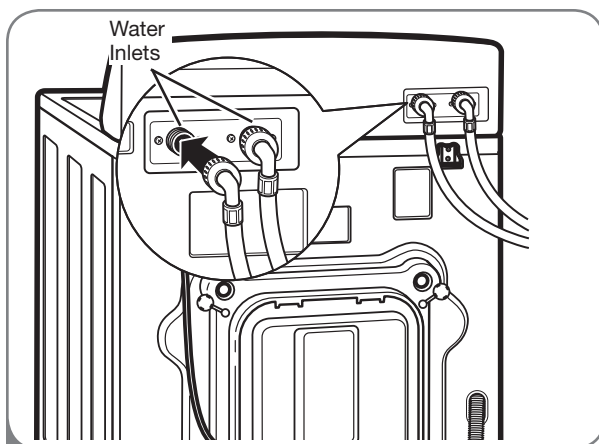
INSTALLATION INSTRUCTIONS

CONNECTING THE WATER LINES

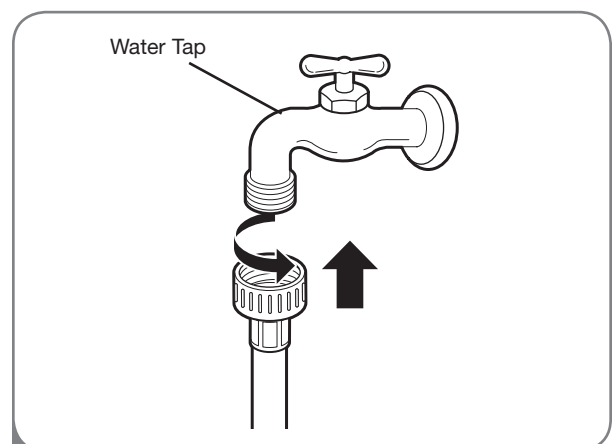
- **IMPORTANT:** Use new hoses when installing the washer. Do NOT reuse old hoses.
- **IMPORTANT:** Use ONLY the inlet hoses provided by LG with this laundry product. Aftermarket hoses are not guaranteed to fit or function correctly. Other hoses may not tighten correctly and could cause leaks. Subsequent damage to product or property will not be covered under the terms of LG's warranty.
- Water supply pressure must be between 14.5 PSI and 116 PSI (100~800 kPa). If the water supply pressure is more than 116 PSI, a pressure reducing valve must be installed.
- Periodically check the hose for cracks, leaks, and wear, and replace the hose if necessary.
- Make sure that the water lines are not stretched, pinched, crushed, or kinked.
- The washer should never be installed or stored in a location subject to freezing temperatures. Damage to the water lines and internal mechanisms of the washer can result. If the washer was exposed to freezing temperatures prior to installation, allow it to stand at room temperature for several hours before use.



- 1 Insert a rubber seal into the threaded fittings on each hose.



- 2 **NOTE:** Do not cross-thread the hose fittings. Attach the hot water line to the red hot water inlet on the back of the washer. Attach the cold water line to the blue cold water inlet on the back of the washer. Tighten the fittings securely.



- 3 Attach the hot water line to the hot water tap. Attach the cold water line to the cold water tap.

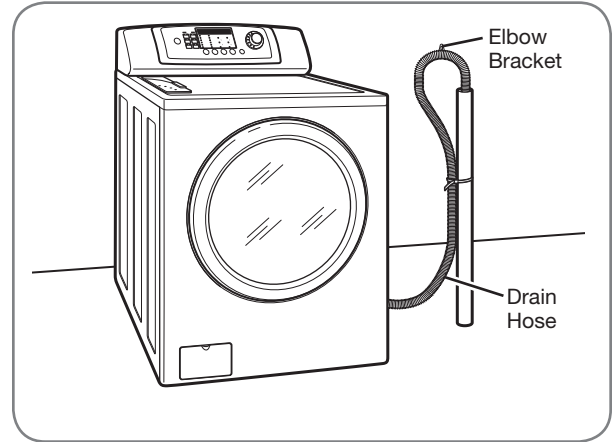
Tighten the fittings securely. Open the water taps fully to check for leaks.

INSTALLATION INSTRUCTIONS

CONNECTING THE DRAIN LINE

- The drain hose should always be properly secured. Failure to properly secure the drain hose can result in flooding and property damage.
- Do not install the end of the drain hose higher than 96 in. (244.8 cm) above the bottom of the washer.
- The drain must be installed in accordance with any applicable local codes and regulations.
- Make sure that the water lines are not stretched, pinched, crushed, or kinked.

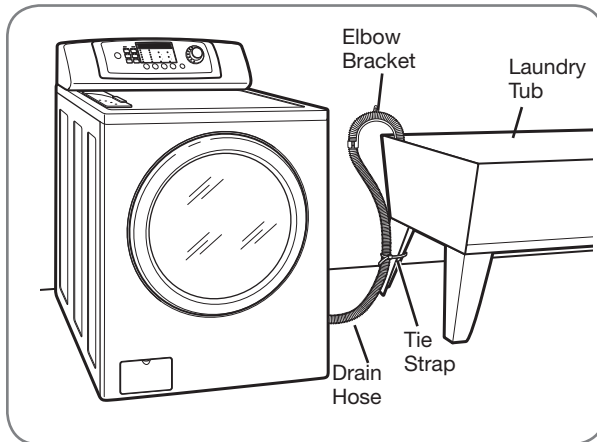
Option 1: Standpipe



Clip the end of the hose into the elbow bracket. Insert the end of the drain hose into a standpipe. Use tie strap to secure the drain hose in place.

NOTE: Total height of the hose end should not exceed 96 in. (244.8 cm) from the bottom of the washer.

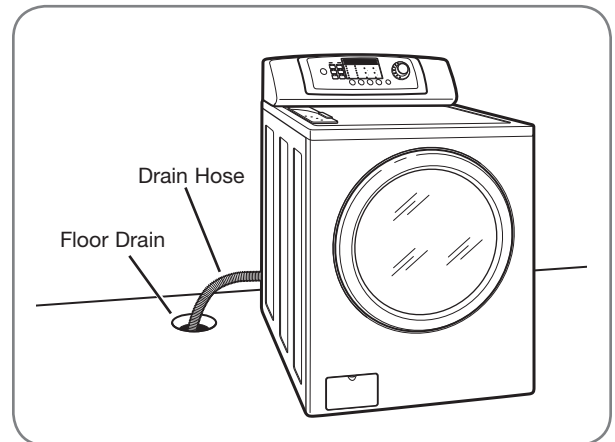
Option 2: Laundry Tub



Clip the end of the hose into the elbow bracket. Hang the end of the drain hose over the side of the laundry tub. Use tie strap to secure the drain hose in place.

NOTE: Total height of the hose end should not exceed 96 in. (244.8 cm) from the bottom of the washer.

Option 3: Floor Drain



Insert the end of the drain hose into the floor drain. Secure the hose in place to prevent it from moving.

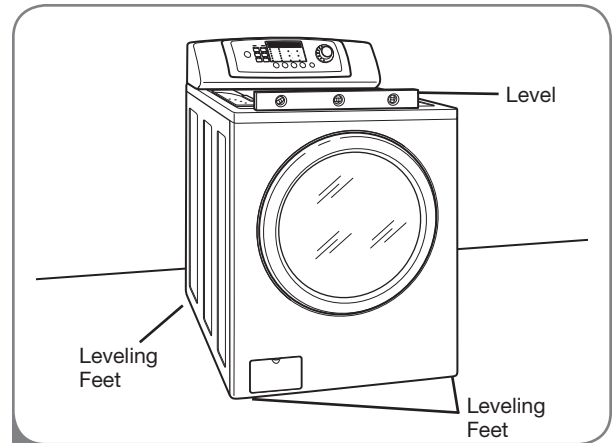
INSTALLATION INSTRUCTIONS

LEVELING THE WASHER

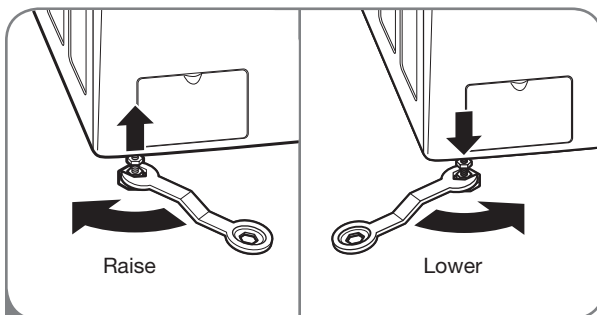
The drum of your new washer spins at very high speeds, up to 1200 RPM. To minimize vibration, noise, and unwanted movement, the floor must be a perfectly level, solid surface.

NOTE: Adjust the leveling feet only as far as necessary to level the washer. Extending the leveling feet more than necessary can cause the washer to vibrate.

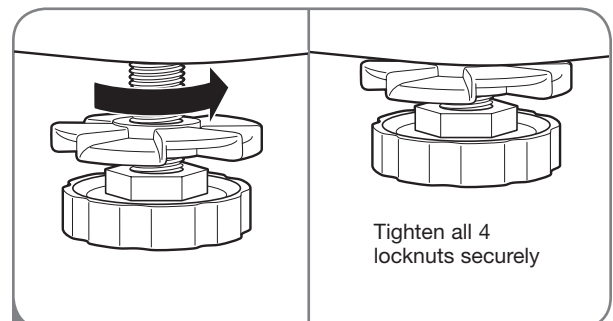
- All four leveling feet must rest solidly on the floor. Rock the washer gently from corner to corner to make sure that the washer does not rock.



- 1 Position the washer in the final location, taking special care to not pinch, strain, or crush the water and drain lines. Place a level across the top of the washer.



- 2 Loosen the locknuts on all 4 leveling feet until you can turn the feet with the included wrench. Turn clockwise to raise the washer or counterclockwise to lower it.



- 3 Once the washer is level from side to side and front to back, tighten all locknuts securely.

Make sure that all 4 leveling feet are in firm contact with the floor.

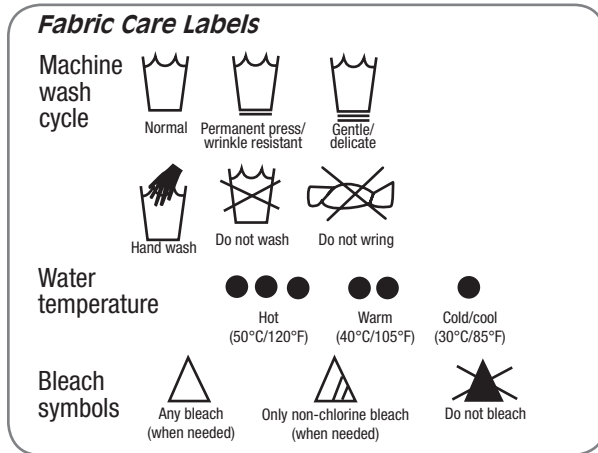
NOTE: To make sure that the washer is properly level, run the washer with a test load: place approximately 6 pounds of laundry in the machine. Then press POWER, press RINSE+SPIN, and then press the START/PAUSE button. See the following sections for additional information on cycle selection and operation.

Verify that the washer does not rock or vibrate excessively during the spin cycle. If the washer vibrates or shakes, adjust the leveling feet until the washer is stable and retest.

SORTING WASH LOADS

Fabric Care Labels

Most articles of clothing feature fabric care labels that include instructions for proper care.



Grouping Similar Items

For best results, sort clothes into loads that can be washed with the same wash cycle.

Different fabrics have different care requirements.

Always wash dark colors separately from light colors and whites to prevent discoloration. If possible, do not wash heavily soiled items with lightly soiled ones. The chart below shows recommended groupings.

Sort Laundry...

by Colors	by Soil	by Fabric	by Lint
Whites	Heavy	Delicates	Lint Producer
Lights	Normal	Easy Care	Lint Collector
Darks	Light	Sturdy	

Loading the Washer

- Check all pockets to make sure that they are empty. Items such as clips, matches, pens, coins, and keys can damage both your washer and your clothes.
- Close zippers, hooks, and drawstrings to prevent these items from snagging or tangling on other clothes.
- Pretreat heavily stained areas for best results.
- Combine large and small items in a load. Load large items first.
- Large items should not be more than half of the total washload.
- The washer can be fully loaded, but the drum should not be tightly packed with items. The door of the washer should close easily.
- To prevent an out-of-balance load, do not wash single items. Add one or two similar items to the load. Large, bulky items, such as a blanket, comforter, or bedspread should be washed individually.
- Do not wash or spin waterproof clothes.
- When unloading the washer, check under the door seal for small items.



HOW TO USE

SELECTING DETERGENT

IMPORTANT: Your Steam Washer™ is designed for use with **only** High-Efficiency (HE) detergents. HE detergents are formulated specifically for front-load washers and contain suds-reducing agents. Always look for the HE symbol when purchasing detergent.

HE detergents produce fewer suds, dissolve more efficiently to improve washing and rinsing performance, and help to keep the interior of your washer clean.

Using a regular detergent may cause oversudsing and unsatisfactory performance.

IMPORTANT: Do not place or store laundry products, such as detergent, bleach, or liquid fabric softener, on top of your washer or dryer. Wipe up any spills immediately. These products can damage the finish and controls.



Designed specially to use only HE (High-Efficiency) detergent

ABOUT THE DISPENSER

The automatic dispenser consists of four compartments which hold:

- Liquid chlorine bleach.
- Liquid fabric softener.
- Liquid or powdered detergent for prewash.
- Liquid or powdered detergent and color-safe bleach for main wash.

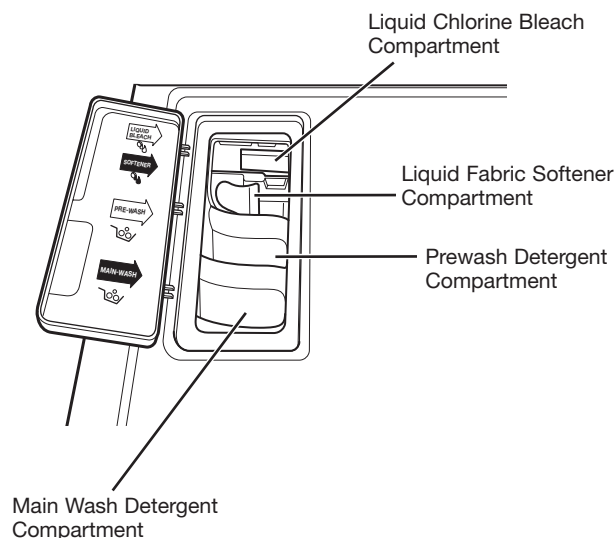
All laundry products can be added at once in their respective dispenser compartments. They will be dispensed at the appropriate time for the most effective cleaning.

After adding the laundry products to the dispenser, close the dispenser drawer.

To add detergent, bleach, and fabric softener to the automatic dispenser:

- 1 Open the dispenser drawer.
- 2 Load the laundry products into the appropriate compartments.
- 3 Slowly close the dispenser drawer to avoid early dispensing of the laundry products.

NOTE: It is normal for a small amount of water to remain in the dispenser compartments at the end of the cycle.



LOADING THE DISPENSER

Prewash Detergent Compartment

Add liquid or powdered detergent to this compartment when using the Prewash option. Always use HE (High-Efficiency) detergent with your washing machine.

- The amount of detergent added for the Prewash option is 1/2 the amount recommended for the main wash cycle. For example, if the main wash cycle requires one measure of detergent, add 1/2 measure for the Prewash option.

NOTE: If liquid detergent is to be used for the main wash when using the pre-wash option, the liquid detergent cup accessory **must** be used in main wash dispenser to prevent the main wash liquid detergent from being dispensed immediately.

Main Wash Detergent Compartment

This compartment holds laundry detergent for the main wash cycle, which is added to the load at the beginning of the cycle. Always use HE (High-Efficiency) detergent with your washing machine.

Never exceed the manufacturer's recommendations when adding detergent. Using too much detergent can result in detergent buildup in clothing and the washer. Either powdered or liquid detergent may be used.

- When using liquid detergent, make sure the liquid detergent cup and insert are in place. Do not exceed the maximum fill line.
- When using powdered detergent, remove the insert and liquid detergent cup from the compartment. Powdered detergent will not dispense with the liquid detergent cup and insert in place.

NOTE: Liquid or powdered color-safe bleach may be added to the main wash compartment with detergent of the same type.

Liquid Bleach Compartment

This compartment holds liquid chlorine bleach, which will be dispensed automatically at the proper time during the wash cycle.

- Do not add powdered or liquid color-safe bleach to this compartment.
- Always follow the manufacturer's recommendations when adding bleach. Do not exceed the maximum fill line. Using too much bleach can damage fabrics.
- Never pour undiluted liquid chlorine bleach directly onto the load or into the drum. Fabric damage can occur.

Fabric Softener Compartment

This compartment holds liquid fabric softener, which will be automatically dispensed during the final rinse cycle.

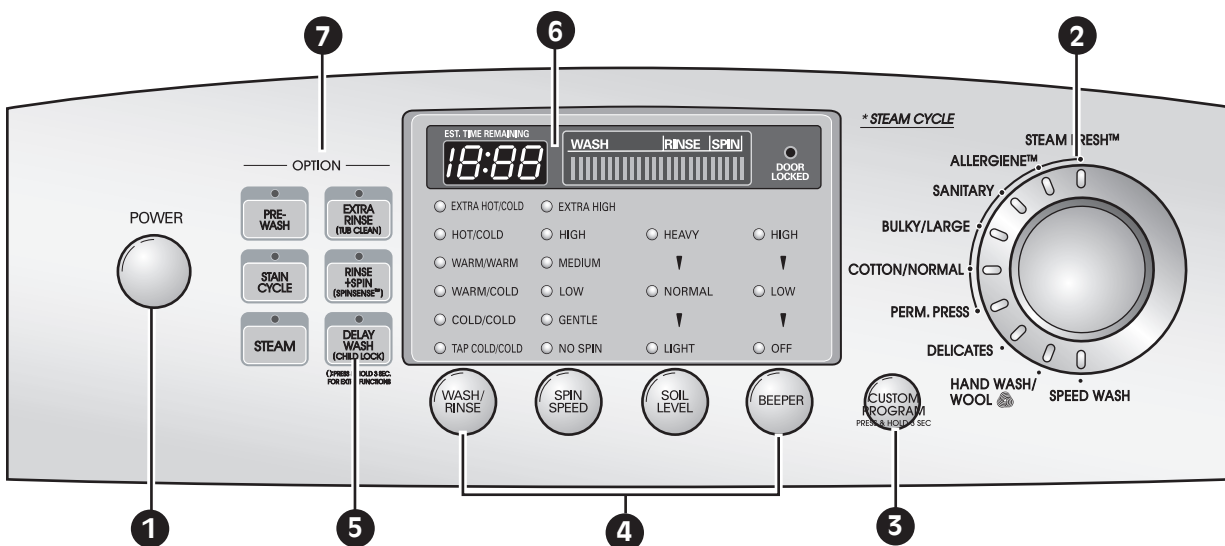
- Always follow the manufacturer's recommendations when adding fabric softener. Do not exceed the maximum fill line. Using too much fabric softener may result in stained clothes.
- Dilute concentrated fabric softeners with warm water. Do not exceed the maximum fill line.
- Never pour fabric softener directly onto the load or into the drum.



Designed specially to use only
HE (High-Efficiency) detergent

HOW TO USE

CONTROL PANEL FEATURES



1 POWER ON/OFF BUTTON

Press to turn the washer ON. Press again to turn the washer OFF.

NOTE: Pressing the ON/OFF button during a cycle will cancel that cycle and any load settings will be lost.

2 CYCLE SELECTOR KNOB

Turn this knob to select the desired cycle. Once the desired cycle has been selected, the standard presets will be shown in the display. These settings can be adjusted using the cycle setting buttons anytime before starting the cycle.

Press this knob to START the selected cycle. If the washer is running, use this knob to PAUSE the cycle without losing the current settings.

NOTE: If you do not press the cycle selector knob within 4 minutes of selecting a cycle, the washer automatically turns off.

3 CUSTOM PROGRAM BUTTON

Press the CUSTOM PROGRAM button to save and recall a customized wash cycle for future use.

You can save the Cycle, Wash/Rinse Temperature, Spin Speed, and Soil Level settings, as well as other cycle options.

4 CYCLE SETTING BUTTONS

Use these buttons to adjust the desired cycle options for the selected cycle.

5 DELAY BUTTON

Press this button to delay the start of the wash cycle. Each press of the button increases the delay time by one hour, up to 12 hours.

6 TIME AND STATUS

The display shows the settings, estimated time remaining, options, and status messages for your washer.

7 OPTION BUTTONS

The option buttons allow you to select additional cycle options and will light when selected. Certain buttons also allow you to activate special functions by pressing and holding the button for 3 seconds.

For detailed information about the individual options, please see the following pages.

HOW TO USE

CYCLE GUIDE

The cycle guide below shows the options and recommended fabric types for each cycle.

Cycle	Fabric Type	Wash/Rinse Temp.	Spin Speed	Soil Level	Pre-Wash	Rinse + Spin	Extra Rinse	Stain Cycle	Steam
Steam Fresh™	Dress shirts, blouses								●
Sanitary	Heavily soiled underwear, work clothes, diapers, etc.	Extra Hot/Cold	High	Normal					
			Extra High No Spin Low Medium	Heavy Light	●	●	●	●	●
Bulky/ Large	Large items such as blankets and comforters	Warm/Cold	Gentle	Normal					
		Warm/Warm Hot/Cold Tap Cold/Cold Cold/Cold	Low Medium No Spin	Heavy Light	●	●	●	●	●
Perm Press	Dress shirts/pants, wrinkle-free clothing, poly/cotton blend clothing, tablecloths	Warm/Cold	Medium	Normal					
		Warm/Warm Hot/Cold Tap Cold/Cold Cold/Cold	High No Spin Gentle Low	Heavy Light	●	●	●	●	●
Cotton/ Normal	Cotton, linen, towels, shirts, sheets, jeans, mixed loads	Warm/Cold	High	Normal					
		Warm/Warm Hot/Cold Tap Cold/Cold Cold/Cold	Extra High No Spin Low Medium	Heavy Light	●	●	●	●	●
Allergiene	Cotton, underwear, pillow covers, bed sheets, baby wear		High						
			No Spin Low Medium						●
Delicates	Dress shirts/blouses, nylons, sheer or lacy garments	Cold/Cold	Low	Normal					
		Warm/Cold Warm/Warm Tap Cold/Cold	Medium No Spin Gentle	Heavy Light	●	●	●		
Hand Wash/ Wool	Items labeled "hand-washable"	Warm/Cold	Low	Normal					
		Warm/Warm Tap Cold/Cold Cold/Cold	No Spin Gentle	Light		●	●		
Speed Wash	Lightly soiled clothing and small loads	Hot/Cold	Extra High	Light					
		Tap Cold/Cold Cold/Cold Warm/Cold Warm/Warm	No Spin Gentle Low Medium High	Normal Heavy		●	●		

NOTE: To protect your garments, not every wash/rinse temperature, spin speed, soil level, or option is available with every cycle.

HOW TO USE

THE TIME AND STATUS DISPLAY

The time and status display shows the cycle progress and estimated time remaining, cycle options, and other status messages for your washer.



1 ESTIMATED TIME REMAINING

When the cycle selector knob is pressed, the washer automatically detects the wash load (weight) and optimizes the washing time, based on the selected cycle and options. The display will then indicate the estimated time remaining for the selected wash cycle.

NOTE: The cycle time displayed may appear much longer than that of a top-loading washer. The displayed time is for the complete cycle, rather than just the agitation portion of the cycle, as is typically shown on a top-loading washer.

2 CYCLE COMPLETION INDICATOR

Shows how much of the current wash cycle has been completed.

3 DOOR LOCK INDICATOR

Indicates that the door is locked. The washer door will lock while the washer is operating. The door can be unlocked by pressing the cycle selector knob to stop the washer.

NOTE: If the temperature in the washer is too high, the door cannot be unlocked until the washer has cooled. If the water level is too high, select the DRAIN & SPIN cycle to drain excess water. Do not try to force open the door.

OPERATING THE WASHER

Once you have loaded the washer and added laundry products (detergent, bleach, and/or fabric softener):

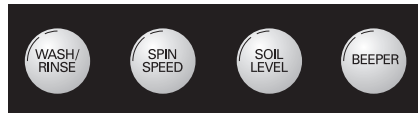
- 1 Press the ON/OFF button to turn on the washer. The lights around the cycle selector knob will illuminate.



- 2 Turn the cycle selector knob to the desired cycle. The display will show the preset Rinse/Wash Temperature, Spin Speed, Soil Level, and Option settings for that cycle.



- 3 If you would like to change the settings for that cycle, press the appropriate cycle settings button(s) until the indicator light for the desired setting is lit.



NOTE: To protect your garments, not every wash/rinse temperature, spin speed, soil level, or option is available with every cycle.

- 4 Select any additional cycle options, such as PRE-WASH, STAIN CYCLE, STEAM, EXTRA RINSE, RINSE + SPIN, or DELAY WASH, by pressing the button for that option.



NOTE: To protect your garments, not every wash/rinse temperature, spin speed, soil level, or option is available with every cycle.

- 5 Press the cycle selector knob to begin the cycle. The door will latch, the display will change, and the washer will calculate the estimated time remaining. Once the washer has calculated the estimated total cycle time, the washer will start. To pause the cycle at any time, press the cycle selector knob



NOTE: The cycle time displayed may appear much longer than that of a top-loading washer. The displayed time is for the complete cycle, rather than just the agitation portion of the cycle, as is typically shown on a top-loading washer.

NOTE: If the temperature in the washer is too high, the door cannot be unlocked until the washer has cooled. If the water level is too high, select the DRAIN & SPIN cycle to drain excess water. Do not try to force the door open.

Washing time can be reduced significantly for small or lightly soiled loads by selecting the Speed Wash cycle and setting the Soil Level button to Light.

- 6 When the load is finished, the beeper (if set) will sound and the door will unlock.

Remove damp clothes from the washer immediately. Check under the door seal for small items.

HOW TO USE

STEAM CYCLES



STEAM cycles include the SteamFresh™, Allergiene™, Sanitary, Bulky/Large, Cotton/Normal, and Perm. Press cycles. Adding the Steam option to these cycles

provides superior cleaning performance while reducing energy and water consumption. By using a hot steam spray from above and cooler water below, fabrics get the cleaning benefits of a super hot wash, without the energy usage or potential damage to fabrics.

To Add STEAM to a Standard Cycle:

- 1 Turn on the washer and turn the cycle selector knob to select a cycle with the STEAM option.
- 2 Press the STEAM button. The washer will automatically adjust the cycle settings.
- 3 Set any other desired options.
- 4 Press the START/PAUSE button to start the cycle. The washer will start automatically.

CAUTION:

Do not touch the door during steam cycles. The door surface can become very hot. Allow the door lock to release before opening the door.

Do not attempt to override the door lock mechanism or reach into the washer during a steam cycle. Steam can cause severe burns.

IMPORTANT NOTES ABOUT STEAM CYCLES:

- Steam may not be clearly visible during the steam cycles. This is normal. Too much steam could damage clothing.
- Do not use steam with delicate fabrics such as wool, silk, or easily discolored fabrics.
- Do not touch the door.

Using the SteamFresh™ Cycle

SteamFresh uses the power of steam alone to quickly reduce wrinkles and odor in fabrics. It brings new life to wrinkled clothes that have been stored for an extended time and makes heavily wrinkled clothes easier to iron. SteamFresh can also be used to help reduce odors in fabrics.

To Use the SteamFresh Cycle:

- 1 Turn on the washer and turn the cycle selector knob to select the SteamFresh cycle.
- 2 Load up to 5 items and close the door.
NOTE: If there is any moisture inside the drum, such as from a previous wash cycle, wipe the drum dry with a towel before adding clothes.
- 3 Press the STEAM button until the correct number of items is shown in the display. No other options need to be set.
- 4 Press the START/PAUSE button to start the cycle.

After the SteamFresh cycle is complete, the washer will tumble the clothes for up to 30 minutes to prevent rewrinkling.

After removing clothes from the SteamFresh cycle, they may feel slightly damp. Place clothes on a hanger for at least 10 minutes to allow them to dry.

- The SteamFresh cycle is not recommended for use with 100% cotton clothing.
- Remove stains from clothing before using the SteamFresh cycle; the high heat could cause stains to set permanently.
- Do not use SteamFresh with the following items: wool, blankets, leather jackets, silk, wet clothes, lingerie, foam products, or electric blankets.
- Best results are achieved when articles are of similar size and fabric type. Do not overload.

CYCLE SETTING BUTTONS

Each cycle has preset settings that are selected automatically. You may also customize the settings using the cycle setting buttons. Press the button for that setting until the indicator light for the desired value is lit.

The washer automatically adjusts the water level for the type and size of wash load for best results and maximum efficiency. It may seem there is no water inside the drum in some cycles, but this is normal.

NOTE: To protect your garments, not every wash/rinse temperature, spin speed, soil level, or option is available with every cycle. See the Cycle Guide for details.

WASH/RINSE

Selects the wash and rinse temperature combination for the selected cycle. Press the WASH/RINSE button until the indicator light for the desired setting is lit.

- Your washer features a heating element to boost the hot water temperature for Extra Hot settings. This provides improved wash performance at normal water heater settings.
- Select the water temperature suitable for the type of load you are washing. Follow the fabric care label for best results.
- Warm rinses are regulated at approximately 86°F (30°C).
- Warm rinses leave the loads drier than cold rinses. Warm rinses can increase wrinkling.
- In cold climates, a warm rinse makes the load more comfortable to handle.
- Cold rinses use less energy, and the rinse temperature depends on the cold water at the faucet.



SPIN SPEED

The washer drum spins at up to 1,200 RPM. This extracts more water from clothes, reducing drying time and saving energy.



Press the SPIN SPEED button until the indicator light for the desired setting is lit. Some fabrics, such as delicates, require a slower spin speed.

The Drain & Spin cycle:

The Spin Speed button also activates the Drain & Spin cycle to drain the tub and spin clothes; for example, if you want to remove clothes before the cycle has ended.

SOIL LEVEL

Adjusts the selected cycle to allow more time for heavily soiled clothes or less time for lightly soiled clothes. Press the SOIL LEVEL button until the indicator light for the desired setting is lit.



BEEPER

Press repeatedly to adjust the volume of the beeper. You may turn the end-of-cycle beeper on or off with the BEEPER button.



HOW TO USE

CUSTOM PROGRAM



CUSTOM PROGRAM allows you to store a customized wash cycle for future use. It allows you to save favorite temperature, spin speed, soil level, and other options for a cycle, and then recall them at the touch of a button.

To store a Custom Program:

- 1 Select a cycle.
- 2 Adjust the Wash/Rinse Temperature, Spin Speed, and Soil Level to the desired settings.
- 3 Set any other desired options.
- 4 Press and hold the CUSTOM PROGRAM button for 3 seconds. You will hear two beeps to confirm the settings have been stored.

IMPORTANT: If you press and hold the CUSTOM PROGRAM button for 3 seconds, you will overwrite any previously stored CUSTOM PROGRAM.

To recall a Custom Program:

- 1 Press and release the CUSTOM PROGRAM button. The stored settings will be displayed.
- 2 Press and release the START/PAUSE button to start the cycle. The washer will start automatically.

CYCLE OPTION BUTTONS

Your washing machine features several additional cycle options to customize cycles to meet your individual needs. Certain option buttons also feature a special function (see the following page for details) that can be activated by pressing and holding that option button for 3 seconds.

To Add Cycle Options to a Cycle:

- 1 Turn on the washer and turn the cycle selector knob to select the desired cycle.
- 2 Use the cycle setting buttons to adjust the settings for that cycle.
- 3 Press the cycle option button(s) for the option you would like to add. The cycle option buttons, except DELAY, will light when selected.
- 4 Press the cycle selector knob to start the cycle. The washer will start automatically.

NOTE: To protect your garments, not every wash/rinse temperature, spin speed, soil level, or option is available with every cycle. See the Cycle Guide for details.

STEAM



Use the STEAM button to add steam to the cycle for extra cleaning power and improved efficiency. See *Steam Cycles* section for additional details.

NOTE: Not all cycles can be used with the STEAM option.

DELAY WASH



Once you have selected the cycle and other settings, press this button to delay the start of the wash cycle. Each press of the button increases the delay time by one hour, up to 12 hours.

PREWASH



Select this option to add a 16-minute prewash and spin cycle to the chosen cycle. This is especially useful for heavily soiled items.

RINSE+SPIN



Select this option to rinse and spin a load separately from a regular cycle. This can be helpful in preventing fresh stains from setting in fabrics.

To activate the Rinse+Spin cycle:

- 1 Press the ON/OFF button to turn on the washer.
- 2 Press the RINSE+SPIN button.
- 3 Press the cycle selector knob.

EXTRA RINSE



This option will add an extra rinse cycle to the selected cycle. Use this option to help ensure the removal of detergent or bleach residue from fabrics.

STAIN CYCLE



Select this option for heavily stained clothes, such as play clothes or work clothes. Stain Cycle will add extra wash time to the selected cycle, as well as an additional rinse cycle.

HOW TO USE

SPECIAL FUNCTIONS

The option buttons also activate special functions, including CHILD LOCK, SPINSENSE™ and TUB CLEAN. Press and hold the option button marked with the special function for 3 seconds to activate.

CHILD LOCK

Use this option to prevent unwanted use of the washer or to keep cycle settings from being changed while the washer is operating. Press and hold the DELAY WASH button for 3 seconds to activate or deactivate CHILD LOCK.



The lock icon will be shown in the display, and all controls are disabled. The washer can be locked during a cycle. Once CHILD LOCK is selected, the display will alternate between CL and the time remaining.

SPINSENSE™



SPINSENSE™ can be used to help reduce or eliminate vibrations, especially on wood floor installations.

To activate SPINSENSE™:

While the washing machine is running in any cycle, press and hold the RINSE+SPIN button for 3 seconds.

The RINSE+SPIN button light will blink while the washer is running to show that SPINSENSE™ is active. The SPINSENSE™ function will remain active for every cycle, even after a power failure.

To cancel SPINSENSE™:

Press and hold the RINSE+SPIN button for 3 seconds to turn off the SPINSENSE™ function.

TUB CLEAN

A buildup of detergent residue can occur in the wash tub over time and can lead to a mildewy or musty smell. The TUB CLEAN cycle is specially designed to remove this buildup. Press and hold the EXTRA RINSE button for 3 seconds to activate this cycle. The display will show a message to add liquid bleach to the dispenser. After the cycle has ended, open the door and allow the drum interior to dry completely.



NOTE: Do NOT use this cycle with clothes, and do NOT add detergent or fabric softener.

ALLERGIENE™

The ALLERGIENE™ cycle is a powerful, high temperature cycle designed specifically to reduce certain allergens.

- Selecting the ALLERGIENE™ cycle automatically incorporates steam into the wash cycle.
- The ALLERGIENE™ cycle can significantly reduce allergens in bedding and clothing.
- The ALLERGIENE™ cycle helps reduce dust mite populations and helps reduce allergens.
- Due to the higher energy and temperatures used, the ALLERGIENE™ cycle is not recommended for wool, silk, leather, or any other delicate or temperature sensitive items.

HAND WASH/WOOL

- Only woolen items that are designated as “Machine-Washable” should be washed in this washing machine
- Wash only small loads for optimum fabric care (less than 8 lbs.)
- Only neutral (wool safe) detergents should be used (Only a small quantity of detergent is needed due to the small load size and low volume of water in the cycle.)
- The HANDWASH/WOOL cycle uses a gentle tumble action and low speed spin for ultimate fabric care



WOOLMARK

The wool wash cycle of this machine has been approved by Woolmark for the washing of machine washable Woolmark products provided that the products are washed according to the instructions on the garment label and those issued by the manufacturer of this washing machine, M0708.



Certified by NSF
Certificado por NSF

NSF International (formerly the National Sanitation Foundation), certifies that **SANITARY** cycle reduces 99.9% of bacteria on laundry, and none of bacteria will carry over onto the next laundry load.

CARE AND CLEANING

REGULAR CLEANING

⚠️ WARNING:

- **Unplug the washer before cleaning to avoid the risk of electric shock.** Failure to follow this warning can cause serious injury, fire, electrical shock, or death.
- **Never use harsh chemicals, abrasive cleaners, or solvents to clean washer.** They will damage the finish.

Cleaning the Exterior

Proper care of your washer can extend its life. The outside of the machine can be cleaned with warm water and a mild, nonabrasive household detergent. Immediately wipe off any spills with a soft, damp cloth.

IMPORTANT: Do not use methylated spirits, solvents, or similar products.

Never use steel wool or abrasive cleansers; they can damage the surface.

Care and Cleaning of the Interior

Use a towel or soft cloth to wipe around the washer door opening, door seal, and door glass. These areas should be kept clean to ensure a watertight seal. Be sure to wipe under the inside rubber seal to remove any moisture or soil.

Always remove items from the washer as soon as the cycle is completed. Leaving damp items in the washer can cause wrinkling, color transfer, and odor.

Run the TUB CLEAN cycle regularly to remove detergent buildup and other residue.

Cleaning the Steam and Water Circulation Nozzles

Use a cotton swab to remove lime or detergent buildup from the inside of the steam and water circulation nozzles. **NEVER** use a sharp or pointed object; you could damage the nozzles.

Removing the Stain in Door Seal

NOTE: Wear rubber gloves and eye protection while performing the following procedure:

- 1 Dilute 3/4 cup (177 ml) liquid chlorine bleach with 1 gallon (3.8 L) of warm/hot water.
- 2 Use this solution to wipe down all surfaces of the gasket to remove the deposits that are causing any odor. (Be sure to fold back the lip of the gasket to get under the edge where residue can build up.)
- 3 Wipe the gasket with a dry cloth.

- 4 Leave the door open to allow the gasket to dry completely. Do not use undiluted bleach as this will damage the gasket. Follow the manufacturer's instructions for proper use of bleach. If the gasket cannot be cleaned properly, it should be replaced.

Storing the Washer

If the washer will not be used for an extended period of time and is in an area that could be exposed to freezing temperatures:

- 1 Turn off water supply tap.
- 2 Disconnect hoses from water supply and drain water from hoses.
- 3 Plug the power cord into a properly grounded electrical outlet.
- 4 Add 1 gallon of nontoxic recreational vehicle (RV) antifreeze to the empty wash drum. Close door.
- 5 Select the spin cycle and let washer spin for 1 minute to drain out all the water.
NOTE: Not all of the RV antifreeze will be expelled.
- 6 Unplug the power cord, dry the drum interior with a soft cloth, and close the door.
- 7 Remove the inserts from the dispenser. Drain any water in compartments and dry the compartments.
- 8 Store the washer in an upright position.
- 9 To remove the antifreeze from the washer after storage, run washer through a complete cycle using detergent. **Do not add laundry!**

Removing Lime Buildup

If you live in an area with hard water, lime scale can form on internal components of the washer. Use of a water softener is recommended in areas with hard water. If a descaler is used, make sure that it is suitable for use in a washer, and run the TUB CLEAN cycle before washing clothing.

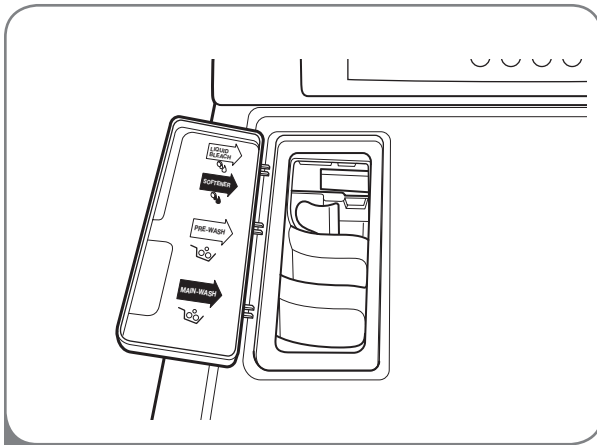
Lime scale and other spots may be removed from the stainless steel drum using a stainless steel cleaner. Do NOT use steel wool or abrasive cleansers; they can damage the surface.

CARE AND CLEANING

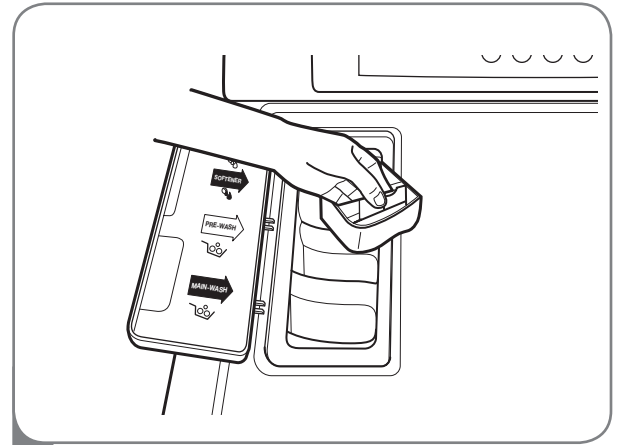
CLEANING THE WASHER

Cleaning the Dispenser

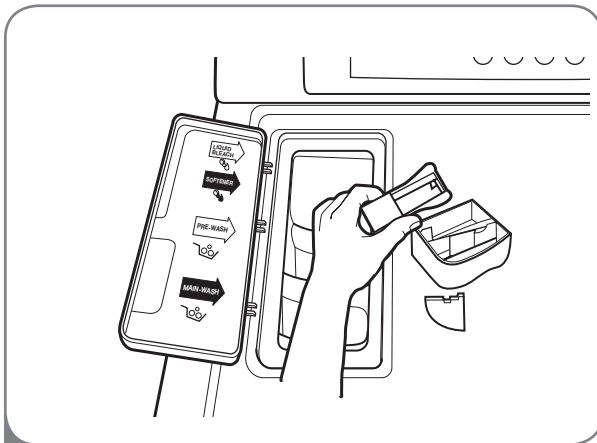
The dispenser should be cleaned periodically to remove buildup from detergent and other laundry products.



1 Open the dispenser lid.



2 Lift the two-compartment container, tilt slightly to the left, and remove from the main dispenser.



3 Remove the caps covering the siphon tube for the bleach and softener.

CARE AND CLEANING

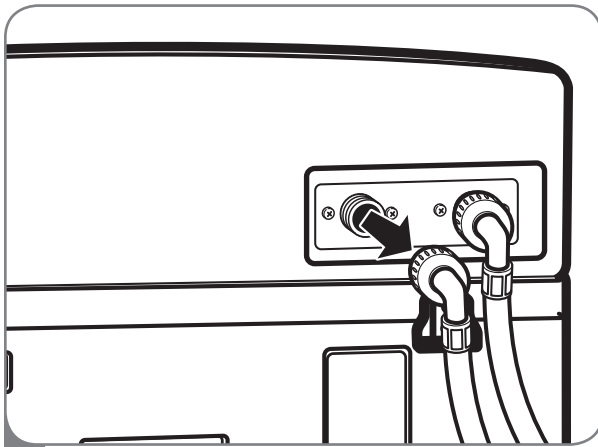
MAINTENANCE

Cleaning the Water Inlet Filters

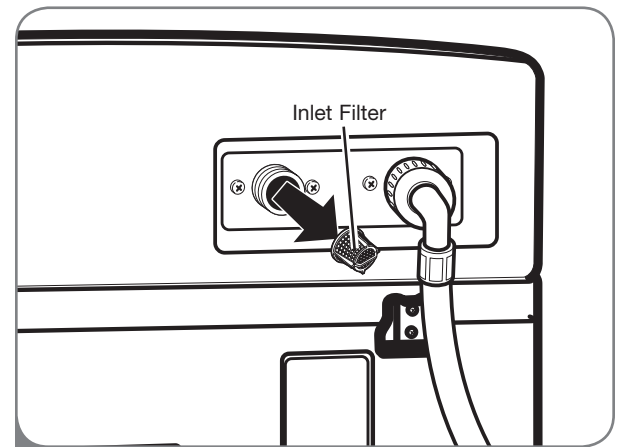
If the washer detects that water is not entering the dispenser, an error message will show on the display. If you live in an area with hard water, this may be caused by clogged inlet filters.

IMPORTANT: Use extreme care when removing and cleaning the filters. If the filters cannot be cleaned or are damaged, do NOT operate the washer without the inlet filters. Contact LG Customer Service or a qualified LG servicer.

IMPORTANTE: Use ONLY the inlet hoses provided by LG with this laundry product. Aftermarket hoses are not guaranteed to fit or function correctly. Other hoses may not tighten correctly and could cause leaks. Subsequent damage to product or property will not be covered under the terms of LG's warranty.



- 1 Turn off both water taps completely. Unscrew the hot and cold water lines from the back of the washer.



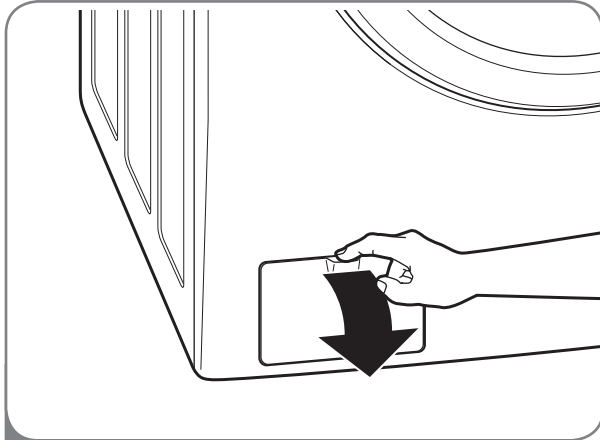
- 2 Carefully remove the filters from the water inlets, and soak them in white vinegar or a lime scale remover, following the manufacturer's instructions. Rinse thoroughly before reinstalling.
Press the filters back into place and reattach the water lines. Do NOT operate the washer without the inlet filters.

CARE AND CLEANING

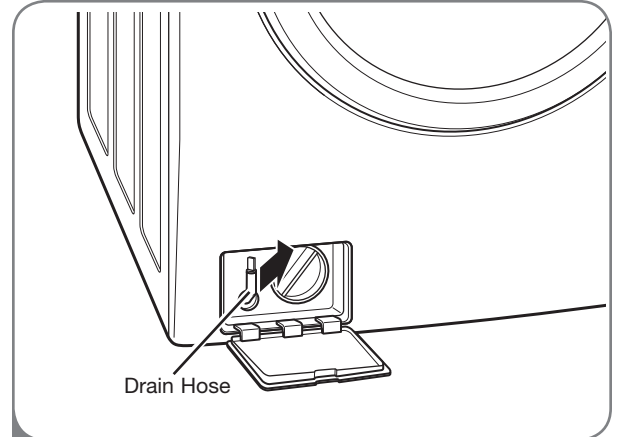
MAINTENANCE (cont.)

Cleaning the Drain Pump Filter

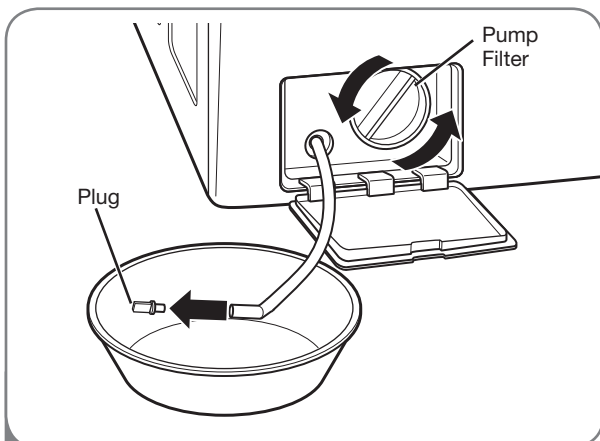
Lint and other objects may accumulate and clog the drain pump filter. If the washer fails to drain properly, unplug the washer and allow the water to cool, if necessary, before proceeding.



1 Open the drain pump filter access panel.



2 Unclip the drain hose and pull it out. Place the end of the drain hose in a pan, bucket, or floor drain to catch water.



3 Remove the plug from the drain hose, and allow the water to drain completely. Twist the pump filter counterclockwise to remove. Remove any lint and foreign objects from the pump filter. Reverse the above steps to reinstall the drain pump filter and drain hose. Be sure to close the cover panel when finished.

TROUBLESHOOTING

NORMAL SOUNDS YOU MAY HEAR

The following sounds may be heard while the washer is operating. They are normal.

Clicking:

Door lock relay when the door locks and unlocks.

Spraying or hissing:

Water spraying or circulating during the cycle.

Humming or gurgling:


Drain pump pumping water from the washer at the end of a cycle.

Splashing:

Clothes tumbling in the drum during the wash and rinse cycles.




BEFORE CALLING FOR SERVICE

Your washing machine is equipped with an automatic error-monitoring system to detect and diagnose problems at an early stage. If your washer does not function properly or does not function at all, check the following before you call for service.

Problem	Possible Causes	Solutions
Rattling and clanking noise	<ul style="list-style-type: none"> Foreign objects, such as keys, coins, or safety pins, may be in drum or pump. 	<ul style="list-style-type: none"> Stop washer and check drum and drain filter for foreign objects. If noise continues after washer is restarted, call for service.
Thumping sound	<ul style="list-style-type: none"> Heavy wash loads may produce a thumping sound. Washer load may be out of balance. 	<ul style="list-style-type: none"> This is normal. If sound continues, washer is probably out of balance. Stop and redistribute wash load. Stop and redistribute wash load.
Vibrating noise	<ul style="list-style-type: none"> Shipping bolts and/or packaging materials not removed. Wash load may be unevenly distributed in the drum. Not all leveling feet are resting firmly on the floor. Floor not rigid enough. 	<ul style="list-style-type: none"> See Installation Instructions for removing shipping bolts and packaging. Stop washer and rearrange wash load. Adjust the leveling feet. Make sure all four feet are in firm contact with the floor while the washer is in the spin cycle with a load. Make sure that the floor is solid and does not flex. Refer to "Flooring" in the <i>Installation</i> section.
Water leaking around washer	<ul style="list-style-type: none"> Fill hose connection is loose at tap or washer. House drain pipes are clogged. 	<ul style="list-style-type: none"> Check hoses. Check and tighten hose connections. Unclog drain pipe. Contact a plumber if necessary.
Excessive sudsing	<ul style="list-style-type: none"> Too much detergent or incorrect detergent. 	<ul style="list-style-type: none"> Reduce detergent amount or use low-sudsing detergent.  Only use detergent with the HE (High-Efficiency) logo.
Staining	<ul style="list-style-type: none"> Laundry products added to washer drum. Washer not unloaded promptly. Clothes not properly sorted. 	<ul style="list-style-type: none"> Load laundry products into the dispenser. Always remove items from the washer as soon as the cycle is complete. Always wash dark colors separately from light colors and whites to prevent discoloration. If possible, do not wash heavily soiled items with lightly soiled ones.

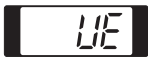

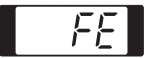

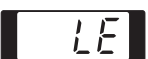

TROUBLESHOOTING

BEFORE CALLING FOR SERVICE (cont.)

Problem	Possible Causes	Solutions
<p>Water in the washer drains slowly or not at all, or the display shows:</p> 	<ul style="list-style-type: none"> • Drain hose is bent, pinched, or clogged. • The drain filter is clogged. 	<ul style="list-style-type: none"> • Make sure the drain hose is free of clogs, kinks, etc., and is not pinched behind or under the washer. • Clean the drain filter. See the <i>User Maintenance Instructions</i> section.
<p>Washer fills with water slowly or not at all, or the display shows:</p> 	<ul style="list-style-type: none"> • Water supply taps are not open fully. • Water line hoses are kinked, pinched, or bent. • Water inlet filters are clogged. • Water pressure to tap or house is too low. 	<ul style="list-style-type: none"> • Make sure that the water taps are open fully. • Make sure the hoses are not kinked or pinched. Be careful when moving the washer. • Clean the inlet filters. See the <i>User Maintenance Instructions</i> section. • Check another faucet in the house to make sure that household water pressure is adequate.
<p>Washer will not turn on</p>	<ul style="list-style-type: none"> • Power cord is not properly plugged in. • House fuse is blown, circuit breaker has tripped, or power outage has occurred. 	<ul style="list-style-type: none"> • Make sure that the plug is plugged securely into a grounded, 3-prong, 120-VAC, 60-Hz. outlet. • Reset circuit breaker or replace fuse. Do not increase fuse capacity. If the problem is a circuit overload, have it corrected by a qualified electrician.
<p>Washer won't spin, or the display shows:</p> 	<ul style="list-style-type: none"> • The door is not closed properly. 	<ul style="list-style-type: none"> • Make sure that the door is closed properly and press the START/PAUSE button. After starting a cycle, it may take a few moments before the drum begins to turn or spin. The washer will not spin unless the door is locked (DOOR LOCK will appear in the display). • If the door is closed and locked and the open door error message is displayed, call for service.
<p>Door will not unlock when cycle is stopped or paused</p>	<ul style="list-style-type: none"> • Interior temperature of washer is too high. • Water level in washer is too high. 	<ul style="list-style-type: none"> • The washer door has a safety lock to prevent burns. Allow the washer to cool until the DOOR LOCK indicator turns off in the display. • Allow the washer to complete the programmed cycle, or run the DRAIN & SPIN cycle to drain the water.
<p>Wash cycle time is longer than usual</p>	<ul style="list-style-type: none"> • The washer automatically adjusts the wash time for the amount of laundry, water pressure, water temperature, and other operating conditions. 	<ul style="list-style-type: none"> • This is normal. The washer adjusts cycle time automatically to provide optimal results for the selected cycle.
<p>Musty or mildewy odor in washer</p>	<ul style="list-style-type: none"> • Incorrect or too much detergent has been used. • Inside of tub not cleaned properly. 	<ul style="list-style-type: none"> • Use only HE (High-Efficiency) detergent in accordance with the manufacturer's instructions. • Run the TUB CLEAN cycle regularly. Be sure to wipe around and under the door seal frequently. • Clean around door seal/glass to prevent odor or mildew: <ol style="list-style-type: none"> 1. wipe dry the door seal/glass and the door opening area 2. wipe around the inner drum/door seal and the lower door seal

TROUBLESHOOTING

BEFORE CALLING FOR SERVICE (cont.)

Problem	Possible Causes	Solutions
Wrinkling	<ul style="list-style-type: none"> Washer not unloaded promptly. Washer overloaded. Hot and cold water inlet hoses are reversed. 	<ul style="list-style-type: none"> Always remove items from the washer as soon as the cycle is complete. The washer can be fully loaded but the drum should not be tightly packed, and the door should close easily. Hot water rinse can set wrinkles in garments. Check the inlet hose connections.
The display shows: 	<ul style="list-style-type: none"> Load is too small. Load is out of balance. The washer has an imbalance detection and correction system. If individual heavy articles are loaded (bath mat, bath robe, etc.) and the imbalance is too great, the washer will make several attempts to restart the spin cycle. If an imbalance is still detected, the washer will stop and the error code will be displayed. 	<ul style="list-style-type: none"> Add 1 or 2 similar items to help balance the load. Rearrange items to help balance the load.
The display shows: 	<ul style="list-style-type: none"> Control error. 	<ul style="list-style-type: none"> Unplug the washer and call for service.
The display shows: 	<ul style="list-style-type: none"> Water level is too high due to a faulty water valve. 	<ul style="list-style-type: none"> Close the water taps, unplug the washer, and call for service.
The display shows: 	<ul style="list-style-type: none"> The water level sensor is not working correctly. 	<ul style="list-style-type: none"> Close the water taps, unplug the washer, and call for service.
The display shows: 	<ul style="list-style-type: none"> Thermal overload protection circuit in the motor has been tripped. 	<ul style="list-style-type: none"> Allow the washer to stand for 30 minutes to allow the motor to cool; then restart the cycle. If the LE error code still appears, unplug the washer and call for service.
The display shows: 	<ul style="list-style-type: none"> A power failure has occurred. 	<ul style="list-style-type: none"> Restart the cycle.

SPECIFICATIONS

KEY DIMENSIONS AND SPECIFICATIONS

The appearance and specifications listed in this manual may vary due to constant product improvements.

STEAM WASHER™ Model WM0742H*A	
Description	Front-Loading Washer
Electrical Requirements	120 VAC @ 60 Hz.
Max. Water Pressure	14.5~116 PSI (100~800 kPa)
Dimensions	27"(W) X 29½"(D) X 44"(H), 51"(D with door open) 68.6 cm (W) X 75 cm (D) X 111.5 cm (H), 129.5 cm (D with door open)
Net Weight	194 lb. (88 kg)
Max. Spin Speed	1,200 RPM

LG ELECTRONICS, INC. LG WASHING MACHINE LIMITED WARRANTY - USA



Your LG Washing Machine will be repaired or replaced, at LG's option, if it proves to be defective in material or workmanship under normal use, during the warranty period ("Warranty Period") set forth below, effective from the date ("Date of Purchase") of original consumer purchase of the product. This warranty is good only to the original purchaser of the product and effective only when used in the United States, including Alaska, Hawaii, and U.S. Territories.

<p>WARRANTY PERIOD:</p> <p>LABOR: One Year from the Date of Purchase.</p> <p>PARTS (except as listed below): One Year from the Date of Purchase.</p> <p style="padding-left: 40px;">Electronic Control Board: Two Years from the Date of Purchase.</p> <p style="padding-left: 40px;">Drum Motor(Stator, Rotor, Hall sensor): Seven Years from the Date of Purchase.</p> <p style="padding-left: 40px;">Stainless Steel Drum: Lifetime</p> <p>Replacement Units and Repair Parts may be new or remanufactured.</p> <p>Replacement Units and Repair Parts are warranted for the remaining portion of the original unit's warranty period.</p>	<p>HOW SERVICE IS HANDLED:</p> <p>In-Home Service:</p> <p>Please retain dealer's dated bill of sale or delivery ticket as evidence of the Date of Purchase for proof of warranty, and submit a copy of the bill of sale to the service person at the time warranty service is provided.</p> <p>Please call 1-800-243-0000 and choose the appropriate option to locate your nearest LG Authorized Service Center.</p> <p>Or visit our Web site at: http://www.lgservice.com.</p>
--	---

THIS WARRANTY IS IN LIEU OF ANY OTHER WARRANTY, EXPRESS OR IMPLIED, INCLUDING WITHOUT LIMITATION, ANY WARRANTY OF MERCHANTABILITY OR FITNESS FOR A PARTICULAR PURPOSE. TO THE EXTENT ANY IMPLIED WARRANTY IS REQUIRED BY LAW, IT IS LIMITED IN DURATION TO THE EXPRESS WARRANTY PERIOD ABOVE. NEITHER THE MANUFACTURER NOR ITS U.S. DISTRIBUTOR SHALL BE LIABLE FOR ANY INCIDENTAL, CONSEQUENTIAL, INDIRECT, SPECIAL, OR PUNITIVE DAMAGES OF ANY NATURE, INCLUDING WITHOUT LIMITATION, LOST REVENUES OR PROFITS, OR ANY OTHER DAMAGE WHETHER BASED IN CONTRACT, TORT, OR OTHERWISE. Some states do not allow the exclusion or limitation of incidental or consequential damages or limitations on how long an implied warranty lasts, so the above exclusion or limitation may not apply to you. This warranty gives you specific legal rights and you may also have other rights that vary from state to state.

THIS LIMITED WARRANTY DOES NOT APPLY TO:

- Service trips to your home to deliver, pick up, and/or install the product, instruct, or replace house fuses or correct wiring, or correction of unauthorized repairs.
- Damages or operating problems that result from misuse, abuse, operation outside environmental specifications or contrary to the requirements of precautions in the Operating Guide, accident, vermin, fire, flood, improper installation, acts of God, unauthorized modification or alteration, incorrect electrical current or voltage, or commercial use, or use for other than intended purpose.

The cost of repair or replacement under these excluded circumstances shall be borne by the consumer.

CUSTOMER INTERACTIVE CENTER NUMBERS

<p>To obtain Customer Assistance, Product Information, or Dealer or Authorized Service Center location:</p>	<p>Call 1-800-243-0000 (24 hours a day, 365 days a year), and select the appropriate option from the menu.</p> <p>Or visit our Web site at: http://www.lgservice.com.</p>
--	--

TO CONTACT LG ELECTRONICS BY MAIL:

LG Customer Interactive Center
P. O. Box 240007
201 James Record Road
Huntsville, Alabama 35824
ATTN: CIC

INTRODUCCIÓN

INSTRUCCIONES IMPORTANTES DE SEGURIDAD

Precauciones básicas de seguridad 37-40

PIEZAS Y CARACTERÍSTICAS

Características especiales..... 41
Piezas y componentes clave..... 42

INSTRUCCIONES PARA LA INSTALACIÓN

Escoja el lugar adecuado 43
Espacios de instalación..... 43
Tipo de piso..... 44
Desembalaje y retiro de los pernos de embalaje... 45
Conexión de las tuberías de agua..... 46
Conexión de la tubería de drenaje 47
Nivelación de la lavadora 48

CÓMO USAR

Clasificación de las cargas de lavado 49
Selección de detergente 50
Detalles sobre el depósito..... 50
Carga del depósito 51
Características del panel de control..... 52
Guía de ciclos..... 53
La pantalla de hora y estado..... 54
Funcionamiento de la lavadora 55
Ciclos de Vapor 56
Botones de ajuste de ciclo..... 57
Programa personalizado 58
Botones de opción de ciclo 59
Funciones especiales..... 59-60

MANTENIMIENTO Y LIMPIEZA

Limpieza regular 61
Limpieza de la lavadora..... 62
Mantenimiento..... 63-64

RESOLUCIÓN DE PROBLEMAS

Sonidos normales que podría escuchar 65
Antes de llamar a mantenimiento..... 65-67

ESPECIFICACIONES

Dimensiones y especificaciones clave..... 68

GARANTÍA..... 69

¡GRACIAS!

Felicitaciones por su compra

y bienvenido a la familia LG.

Su nueva Steam Washer™ combina

la tecnología de lavado más

avanzada con funcionamiento

sencillo y alta eficiencia. Al seguir

las instrucciones de funcionamiento

y mantenimiento de este manual,

su lavadora le brindará muchos

años de servicio confiable.

Información de registro del producto

Modelo:

Número de serie:

Fecha de compra:

Se puede encontrar el número de serie y el modelo en la placa de clasificación en la frente de la lavadora.



INSTRUCCIONES IMPORTANTE DE SEGURIDAD

LEA TODAS LA INSTRUCCIONES ANTES DE USAR

⚠️ ADVERTENCIA Por su seguridad, debe seguir la información indicada en este manual para minimizar el riesgo de incendio o explosión, descarga eléctrica, o para prevenir daños a la propiedad, lesiones personales o muerte.

Su Seguridad y la de los demás son de suma importancia.

En este manual y en su electrodoméstico figuran muchos mensajes importantes de seguridad. Lea y cumpla siempre con todos los mensajes de seguridad.



Éste es el símbolo de alerta de seguridad.

El mismo alerta sobre potenciales riesgos de muerte o heridas tanto para usted como para otras personas.

Todos los mensajes de seguridad estarán a continuación del símbolo de alerta de seguridad y con la palabra PELIGRO o ADVERTENCIA. Estas palabras significan:

⚠️ PELIGRO: Corre riesgo de muerte o de sufrir heridas serias si no sigue las instrucciones inmediatamente.

⚠️ ADVERTENCIA: Corre riesgo de muerte o de sufrir heridas serias si no sigue las instrucciones.

Todos los mensajes de seguridad le indicarán cuál es el riesgo potencial, le dirán cómo reducir las posibilidades de sufrir heridas y qué puede suceder si no se siguen las instrucciones.

INSTRUCCIONES IMPORTANTE DE SEGURIDAD

LEA TODAS LA INSTRUCCIONES ANTES DE USAR

⚠ADVERTENCIA Por su seguridad, debe seguir la información indicada en este manual para minimizar el riesgo de incendio o explosión, descarga eléctrica, o para prevenir daños a la propiedad, lesiones personales o muerte.

INSTRUCCIONES BÁSICAS DE SEGURIDAD

⚠ADVERTENCIA Para minimizar el riesgo de incendio o explosión, descarga eléctrica, o para prevenir lesiones personales cuando use electrodomésticos, se deben seguir precauciones básicas de seguridad, incluyendo las siguientes:

- Antes de usar, la lavadora debe estar correctamente instalada como se describe en este manual.
- No lave artículos que han sido limpiados, lavados, remojados o salpicados previamente con gasolina, disolventes de limpieza en seco, u otras substancias inflamables o explosivas, ya que emanan vapores que podrían encenderse o explotar.
- No agregue gasolina, disolventes de limpieza en seco u otras substancias explosivas al agua de lavado. Estas substancias emanan vapores que podrían encenderse o explotar.
- Bajo ciertas condiciones, se puede producir gas hidrógeno en un sistema de agua caliente que no se haya usado por un plazo de 2 semanas o más. **EL GAS HIDRÓGENO ES EXPLOSIVO.** Si no se ha usado el sistema de agua caliente durante tal período, antes de utilizar la lavadora, abra todas las llaves de agua caliente y deje que el agua fluya durante algunos minutos. Esto liberará cualquier gas hidrógeno acumulado. Ya que el gas es inflamable, no fume ni use ninguna llama abierta durante este período.
- No deje que los niños jueguen en la lavadora o dentro de ella. Cuando se usa la lavadora cerca de los niños se necesita supervisión minuciosa.
- Antes de poner la lavadora fuera de servicio o de tirarla, quite la puerta para prevenir que los niños se metan dentro.
- No instale ni guarde la lavadora cuando esté expuesta a la intemperie o temperaturas de congelamiento.
- No toque los controles.
- No repare ni cambie ninguna pieza de la lavadora ni intente dar un mantenimiento diferente al descrito en este manual. Recomendamos enfáticamente que el mantenimiento lo brinde una persona calificada.
- Vea las Instrucciones de instalación para referirse a los requisitos de puesta a tierra.
- Siga SIEMPRE las instrucciones de mantenimiento de fábrica provistas por el fabricante de las prendas.
- No coloque artículos expuestos a aceite comestible en su lavadora. Los artículos contaminados con aceites comestibles podrían contribuir a la formación de una reacción química que cause que una carga de lavado se incendie.
- Use suavizadores de tela o productos para eliminar estática únicamente del modo recomendado por el fabricante.
- Esta lavadora no está diseñada para uso marino o instalaciones móviles tales como vehículos recreativos, aeronaves, etc.
- Cierre las llaves de agua y desenchufe la lavadora si ha dejado la lavadora sin funcionar por un período prolongado de tiempo, como durante las vacaciones.
- El material de embalaje podría resultar peligroso para los niños. ¡Existe el peligro de sufrir sofocación! Mantenga todos los elementos de embalaje fuera del alcance de los niños.
- Antes de cargar la lavadora, siempre revise que no haya objetos extraños en su interior. Mantenga la puerta cerrada cuando no se use.

INSTRUCCIONES PARA LA CONEXIÓN A TIERRA

Este aparato debe ser conectado a tierra. Dado el caso de descompostura ó mal funcionamiento, la conexión a tierra reduce el riesgo de recibir una descarga eléctrica proveyendo una vía de menor resistencia a la corriente eléctrica. Este aparato esta equipado con un cable que tiene un conductor de equipo a tierra y una clavija de tierra. La clavija debe ser conectada en una toma de corriente adecuada que esté propiamente instalada y conectada a tierra de acuerdo con los códigos y ordenanzas locales.

⚠ADVERTENCIA Una conexión inapropiada del conductor de equipo a tierra puede resultar en riesgo de recibir una descarga eléctrica. Verifique con un electricista calificado si tiene dudas sobre si el aparato esta correctamente conectado a tierra. No modifique la clavija provista con el aparato. Si no encaja con la toma de corriente, haga instalar una toma de corriente adecuada por un electricista calificado.

INSTRUCCIONES IMPORTANTE DE SEGURIDAD

LEA TODAS LA INSTRUCCIONES ANTES DE USAR

⚠️ ADVERTENCIA Por su seguridad, debe seguir la información indicada en este manual para minimizar el riesgo de incendio o explosión, descarga eléctrica, o para prevenir daños a la propiedad, lesiones personales o muerte.

INSTRUCCIONES DE SEGURIDAD PARA LA INSTALACIÓN

⚠️ ADVERTENCIA Para minimizar el riesgo de incendio o explosión, descarga eléctrica, o para prevenir lesiones personales cuando use electrodomésticos, se deben seguir precauciones básicas de seguridad, incluyendo las siguientes:

- **Consulte las INSTRUCCIONES DE INSTALACIÓN para un procedimiento detallado de conexión a tierra.** Junto con la lavadora se encuentran las instrucciones de instalación como referencia. Si cambiará de lugar la lavadora, contrate a una persona del servicio calificada para que la controle y reinstale. Si no se cumple con esta advertencia se podrán producir heridas graves, incendios, descargas eléctricas o muerte.
- **Nunca, bajo ninguna circunstancia, corte o elimine el tercer cable (tierra) del cable de corriente.** Si no se cumple con esta advertencia se podrán producir heridas graves, incendios, descargas eléctricas o muerte.
- **Para su seguridad personal, este electrodoméstico debe estar adecuadamente conectado a tierra.** Si no se cumple con esta advertencia se podrán producir heridas graves, incendios, descargas eléctricas o muerte.
- **El cable de corriente de este electrodoméstico contiene un enchufe de 3 cables (conexión a tierra) que se conecta a un tomacorriente de pared estándar de 3 cables (conexión a tierra)** para minimizar la posibilidad de riesgos de descargas eléctricas por parte del mismo.
- **La lavadora deberá estar conectada a un tomacorriente con conexión a tierra de 120VAC, 60 Hz.** Si no se cumple con esta advertencia se podrán producir heridas graves, incendios, descargas eléctricas o muerte.
- **Contrate a un electricista calificado para que controle el tomacorriente y el circuito eléctrico con el fin de asegurar que el enchufe esté correctamente conectado a tierra.** Si no se cumple con esta advertencia se podrán producir heridas graves, incendios, descargas eléctricas o muerte.
- **En caso de contar con un tomacorriente de pared de 2 cables, es su responsabilidad y obligación reemplazarlo por un tomacorriente de pared de 3 cables correctamente conectado a tierra.** Si no se cumple con esta advertencia se podrán producir heridas graves, incendios, descargas eléctricas o muerte.
- **No instalar sobre alfombra. Instale la lavadora sobre un suelo firme.** Si no se cumple con esta advertencia se podrán producir daños por filtraciones.
- **No elimine el cable de conexión a tierra. No use un adaptador o prolongador. Enchufe en un tomacorriente con conexión a tierra de 3 cables.** Si no se cumple con esta advertencia se podrán producir heridas graves, incendios, descargas eléctricas o muerte.
- **La lavadora debería estar siempre conectada a un enchufe específico con un índice de voltaje equivalente al que figura en su etiqueta de características técnicas.** Esto garantiza el mejor funcionamiento y además previene la sobrecarga de los circuitos del hogar, lo cual podría ocasionar riesgos de incendio debido al recalentamiento de cables.
- **Nunca desenchufe su lavadora empujando el cable de corriente.** Siempre tome su enchufe firmemente y empuje el mismo hacia fuera para retirarlo. Si no se cumple con esta advertencia se podrán producir heridas graves, incendios, descargas eléctricas o muerte.
- **Repáre o reemplace de inmediato todos los cables de corriente pelados o con cualquier tipo de daño. No use un cable con cortaduras o abrasión sobre su extensión o extremos.** Si no se cumple con esta advertencia se podrán producir heridas graves, incendios, descargas eléctricas o muerte.
- **Al instalar o cambiar de lugar la lavadora, evite todo tipo de cortes u otros daños en el cable de corriente.** Si no se cumple con esta advertencia se podrán producir heridas graves, incendios, descargas eléctricas o muerte.
- **La lavadora debe ser instalada y conectada a tierra por una persona especializada del servicio técnico cumpliendo con los códigos locales** para prevenir riesgos de descargas y asegurar la estabilidad durante el funcionamiento.
- **La lavadora es pesada. Se necesitan dos o más personas para instalar y trasladar el electrodoméstico.** Si esto no se cumple se podrán producir diversas heridas.
- **Ubique e instale la lavadora evitando su exposición a temperaturas bajo cero o a condiciones climáticas en áreas exteriores.** Si no se cumple con esta advertencia se podrán producir daños por filtraciones.
- **Con el fin de reducir el riesgo de descargas eléctricas no instale la lavadora en espacios húmedos.** Si no se cumple con esta advertencia se podrán producir heridas graves, incendios, descargas eléctricas o muerte.

INSTRUCCIONES IMPORTANTE DE SEGURIDAD

LEA TODAS LA INSTRUCCIONES ANTES DE USAR

⚠️ ADVERTENCIA Por su seguridad, debe seguir la información indicada en este manual para minimizar el riesgo de incendio o explosión, descarga eléctrica, o para prevenir daños a la propiedad, lesiones personales o muerte.

INSTRUCCIONES DE SEGURIDAD PARA LA UTILIZACIÓN, CUIDADO Y LIMPIEZA, Y LA DISPOSICIÓN

⚠️ ADVERTENCIA Para minimizar el riesgo de incendio o explosión, descarga eléctrica, o para prevenir lesiones personales cuando use electrodomésticos, se deben seguir precauciones básicas de seguridad, incluyendo las siguientes:

- **Desenchufe la lavadora antes de limpiar la misma** para evitar el riesgo de descargas eléctricas.
- **Al limpiar la lavadora nunca utilice químicos de corte, limpiadores abrasivos o solventes.** Los mismos dañarán su aspecto.
- **No coloque trapos grasosos o aceitosos sobre la lavadora.** Estas sustancias despiden vapores que podrían prender fuego los materiales.
- **No lave prendas que estén sucias con aceite vegetal o de cocina.** Las mismas pueden quedar con algo de aceite luego del lavado. Debido al aceite que permanece, la tela puede despedir humo o prenderse fuego por sí sola.
- **Desconecte este electrodoméstico del tomacorriente antes de realizar cualquier función de mantenimiento.** Colocar los controles en la posición OFF (apagado) no desconecta el electrodoméstico de la toma de corriente. Si no se cumple con esta advertencia se podrán producir heridas graves, incendios, descargas eléctricas o muerte.
- **No combine diferentes productos de lavandería en 1 misma carga a menos que esto se especifique en la etiqueta. No mezcle blanqueador con cloro junto con amoníaco o ácidos tales como vinagre. Al usar productos de lavandería siga las instrucciones del envoltorio.** Un uso indebido puede producir gases venenosos, lo que puede resultar en heridas graves o muerte.
- **No coloque las manos dentro de la lavadora cuando sus partes estén en movimiento. Antes de cargar, descargar o agregar prendas, presione la perilla selectora de ciclos y espere hasta que el tambor se detenga totalmente antes de colocar las manos dentro.** Si no se cumple con esta advertencia se podrán producir heridas graves, incendios, descargas eléctricas o muerte.
- **No permita que los niños jueguen sobre o dentro de la lavadora. Si hay niños cerca mientras la lavadora está en funcionamiento es necesario supervisarlos de cerca. A medida que los niños crezcan, enséñeles sobre el uso adecuado y seguro de todos los electrodomésticos.** Si estas advertencias no se cumplen se podrían producir heridas graves.
- **Destruya la bolsa plástica y otros materiales de embalaje una vez retirada la lavadora. Es posible que los niños deseen usarlas para jugar. Los cartones cubiertos con alfombra, colchas o láminas de plástico se pueden convertir en cámaras herméticas.** Si estas advertencias no se cumplen se podrían producir heridas graves.
- **Mantenga los productos de lavandería fuera del alcance de los niños. Para evitar heridas, cumpla con todas las advertencias que figuran en las etiquetas de los productos.** Si estas advertencias no se cumplen se podrían producir heridas graves.
- **Retire la puerta del compartimiento de lavado para evitar el riesgo de que los niños o animales pequeños queden atrapados dentro, si dejará de usar definitivamente o se deshará de su lavadora.** Si no se cumple con esto se podrán producir heridas o muerte.

GUARDE ESTAS INSTRUCCIONES

PIEZAS Y CARACTERÍSTICAS

CARACTERÍSTICAS ESPECIALES

1 CAJÓN DE DEPÓSITO DE DETERGENTE

Este cajón de cuatro secciones provee depósitos separados para el prelavado y detergente principal de lavado, así como suavizante líquido de telas.

2 PANTALLA DE LED DEL PANEL DE CONTROL

Los controles electrónicos son sencillos y fáciles de utilizar. La pantalla de LED muestra las opciones y la información de ciclo, y los mensajes de estado durante el funcionamiento.

3 COMPUERTA DE SEGURIDAD DE FÁCIL ACCESO

La compuerta extra-grande se asegura durante el funcionamiento y consta de un bloqueo demorado para prevenir que la compuerta se abra hasta que el interior de la lavadora se haya enfriado y haya bajado el nivel del agua.

4 CICLOS DE VAPOR DE ALTA EFICIENCIA

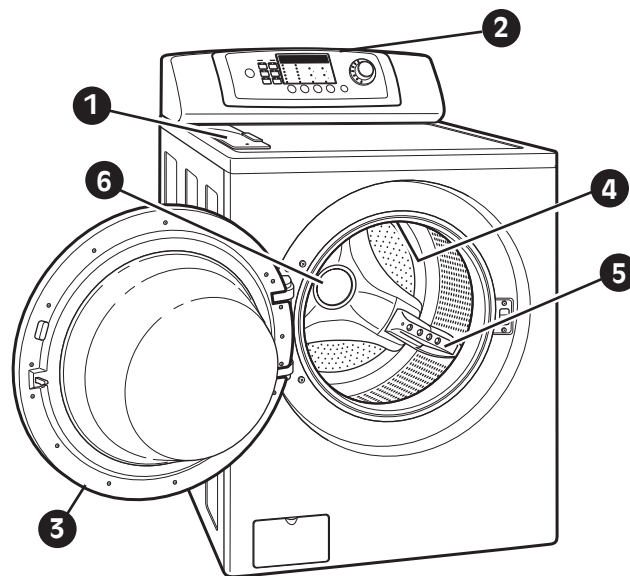
Durante los ciclos de VAPOR de alta eficiencia únicos de LG, la boquilla de vapor inyecta a las telas vapor caliente para eliminar suavemente las manchas más difíciles.

5 CHORROS DE RODILLO

El sistema de chorros de rodillo mejora el desempeño de lavado, a la vez que reduce el desgaste de la tela. Los chorros integrados rocían las prendas para mejorar aún más la eficiencia de lavado.

6 MOTOR DE ACCIÓN DIRECTA

El motor de acción directa elimina la correa y las poleas incluidas en la mayoría de las lavadoras para brindar desempeño y confiabilidad mejorados, a la vez que aumenta el ahorro de energía.



PIEZAS Y CARACTERÍSTICAS

PIEZAS Y COMPONENTES CLAVE

Además de los componentes y las características descritos en la sección de *Características especiales*, hay varios componentes importantes adicionales a los cuales se hace referencia en este manual.

1 TAMBOR DE ACERO INOXIDABLE DE ULTRA CAPACIDAD

El tambor de acero inoxidable ultra grande ofrece una durabilidad extraordinaria y está inclinado para mejorar la eficiencia y permitir el acceso fácil para prendas grandes.

2 CIRCULACIÓN DE AGUA Y BOQUILLAS DE VAPOR

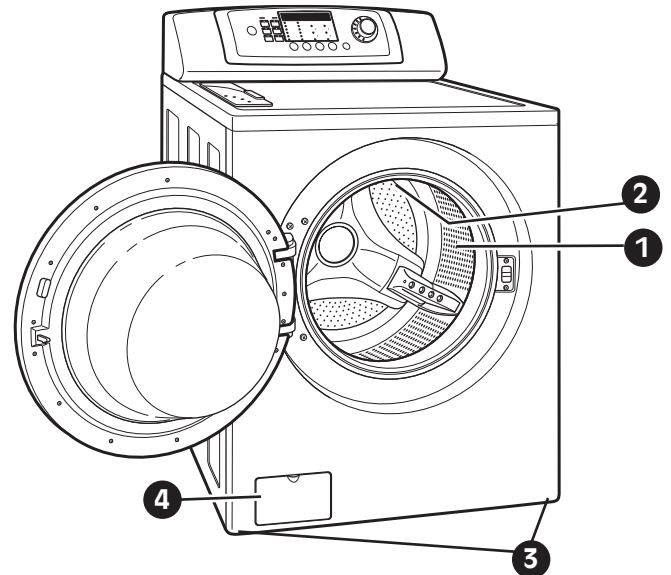
Las boquillas de circulación de agua rocían la solución agua/el detergente directamente sobre las prendas permitiendo una limpieza extraordinaria. Durante los ciclos de VAPOR de alta eficiencia exclusivos de LG, la boquilla de vapor inyecta a las telas vapor caliente para eliminar suavemente las manchas más difíciles.

3 PATAS NIVELADORAS

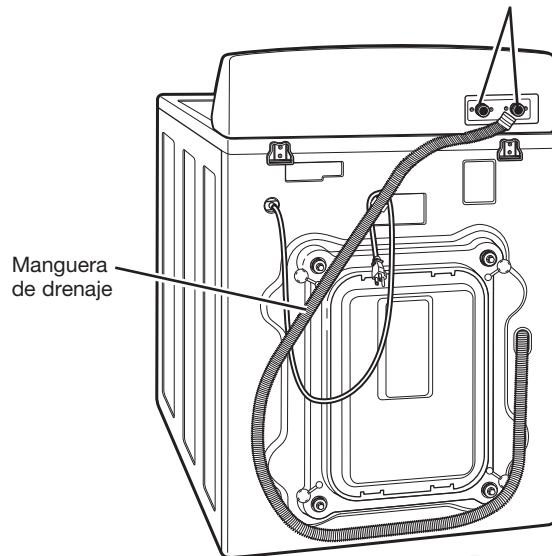
Cuatro patas niveladoras (dos en la parte frontal y dos en la trasera) ajustables para mejorar la estabilidad de la lavadora en pisos desnivelados.

4 PANEL DE ACCESO AL DRENAJE

Brinda acceso a la tubería de drenaje y al filtro de la bomba de drenaje.



Entradas de agua caliente y fría

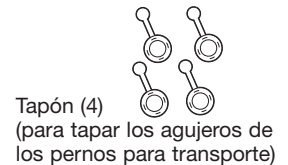


Parte trasera de la lavadora

Accesorios incluidos



Mangueras de agua fría y caliente



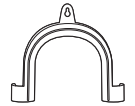
Tapón (4) (para tapar los agujeros de los pernos para transporte)



Llave (para sacar los pernos de embalaje y ajustar las patas niveladoras)



Correa de amarre (para asegurar la manguera de drenaje)



Abrazadera de codo (para asegurar la manguera de drenaje)

INSTRUCCIONES PARA LA INSTALACIÓN

ESCOJA EL LUGAR ADECUADO

⚠️ ADVERTENCIA

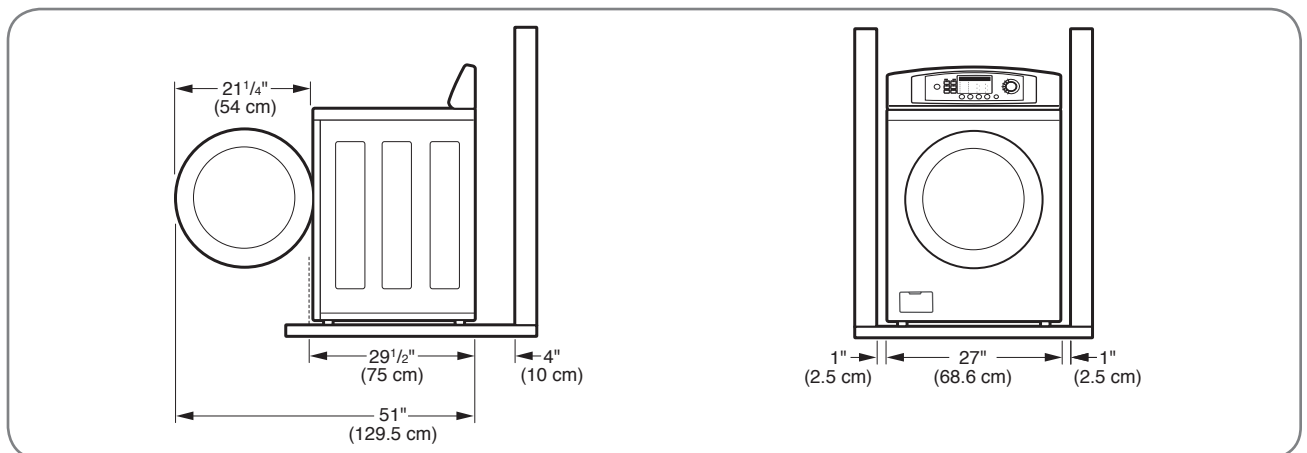
- La lavadora es pesada. Se necesitan dos o más personas para instalar y trasladar el electrodoméstico. Si esto no se cumple se podrán sufrir heridas en la espalda u otras heridas.
- Almacene e instale la lavadora en un lugar no expuesto a temperaturas inferiores a las de congelación ni a la intemperie. Si no se cumple con esta advertencia se podrán producir heridas graves, incendios, descargas eléctricas o muerte.
- Para su seguridad personal, este electrodoméstico debe ser conectado a tierra adecuadamente. Si no se cumple con esta advertencia se podrán producir heridas graves, incendios, descargas eléctricas o muerte.
- Conecte a tierra la lavadora siguiendo todos los códigos y ordenanzas legales. Si no se cumple con esta advertencia se podrán producir heridas graves, incendios, descargas eléctricas o muerte.
- La apertura de la base no debe estar obstruida por una alfombra cuando la lavadora se instale en un piso alfombrado.
- No elimine el cable de conexión a tierra. No use un adaptador o prolongador. Enchufe en un tomacorriente con conexión a tierra de 3 cables. Si no se cumple con esta advertencia se podrán producir heridas graves, incendios, descargas eléctricas o muerte.

Tomacorriente

- El tomacorriente debe estar dentro de un área mínima de 1,5 m (60 pulgadas) a cualquiera de los lados de la lavadora.
- El electrodoméstico y el tomacorriente deben estar colocados de forma tal que se pueda acceder al enchufe fácilmente.
- No sobrecargar el tomacorriente con más de un electrodoméstico.
- El tomacorriente deberá estar puesto a tierra de acuerdo con los códigos y las regulaciones de cableado actuales.
- Se recomienda utilizar un fusible de demora de tiempo o disyuntor.

NOTA: Es responsabilidad y obligación personal del dueño del producto pedir a un electricista calificado que instale el tomacorriente adecuado.

ESPACIOS DE INSTALACIÓN



Para asegurar que se haya dotado de suficiente espacio para las tuberías de agua y flujo de aire, deje espacios mínimos de por lo menos 2,5 cm (1 pulgada) en los lados y 10 cm (4 pulgadas) detrás de la unidad. No olvidar prever espacio para las molduras de pared, puerta o piso que podrían aumentar los espacios de instalación requeridos.

Deje por lo menos 61,2 cm (24 pulgadas) al frente de la lavadora para poder abrir la compuerta.

INSTRUCCIONES PARA LA INSTALACION

TIPO DE PISO

- Para minimizar el ruido y vibración, se DEBE instalar la lavadora en un piso sólidamente construido. Ver la NOTA a la derecha.
- La pendiente permitida debajo de toda la lavadora es de 1°.
- No se recomiendan las superficies alfombradas o de baldosas blandas.
- Nunca instale la lavadora en una plataforma o estructura soportada con poca solidez.

NOTA: Tome en cuenta que el piso debe ser lo suficientemente fuerte y rígido para soportar el peso de la lavadora cuando se encuentra completamente cargada, sin flexionarse ni rebotar. Si su piso tiene mucha flexión, podría necesitar reforzarlo para hacerlo más rígido. Un piso adecuado para una lavadora de carga por la parte superior podría no ser lo suficientemente rígido para una de carga frontal debido a la diferencia en la dirección y velocidad del centrifugado. Si el piso no es sólido, su lavadora podría vibrar y la vibración podría sentirse en toda la casa.

INSTRUCCIONES PARA LA INSTALACION

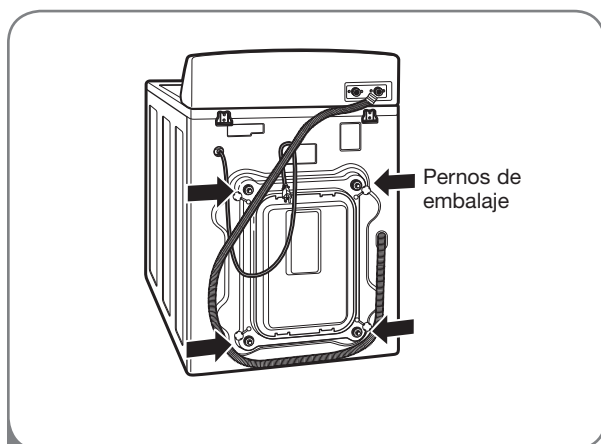
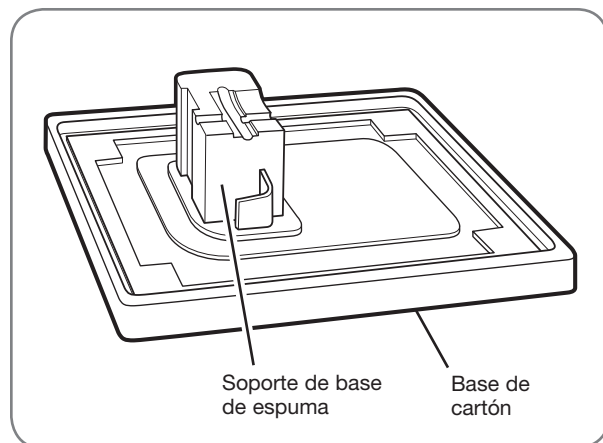
DESEMBALAJE Y RETIRO DE LOS PERNOS DE EMBALAJE

Al retirar la lavadora de la base de cartón, asegúrese de quitar el soporte de base de espuma colocado en la mitad de la base de cartón.

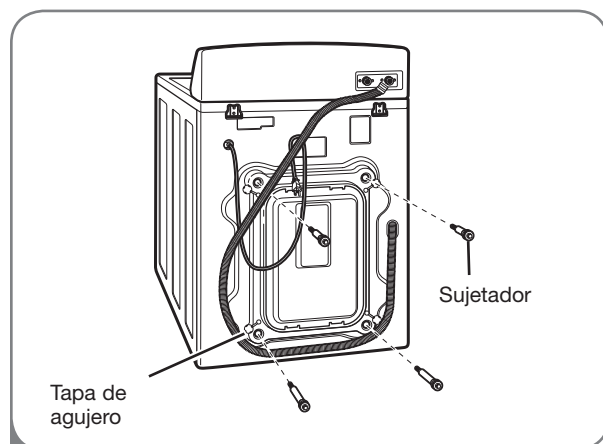
Si debe asentar la lavadora hacia abajo para quitar los materiales de embalaje de la base, hágalo siempre cuidadosamente sobre su parte lateral. NO asiente la lavadora sobre su parte frontal o posterior.

IMPORTANTE: Para prevenir daños en el interior durante el transporte, la lavadora está equipada con cuatro pernos de embalaje y sujetadores plásticos. Se **DEBEN** quitar estos pernos y sujetadores antes de poner en funcionamiento la lavadora.

- De lo contrario se podría causar vibración y ruido severos, que podrían causar daños permanentes a la lavadora. El cable está asegurado a la parte posterior de la lavadora con un perno de embalaje para prevenir el funcionamiento con los pernos colocados.



- 1 Comenzando por los 2 pernos de embalaje inferiores, use la llave incluida para quitar los 4 pernos de embalaje rotándolos en sentido contrario a las agujas del reloj.



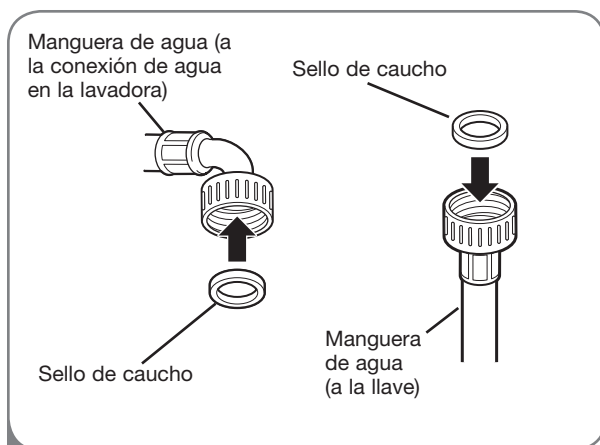
- 2 Quite los sujetadores haciéndolos girar levemente mientras tira. Gire y apriete las tapas de orificio en los orificios de los pernos de embalaje.

NOTA: Guarde los pernos y sujetadores para su uso futuro. Para prevenir daños a los componentes internos, los pernos y sujetadores internos deben ser instalados cuando se transporte la lavadora.

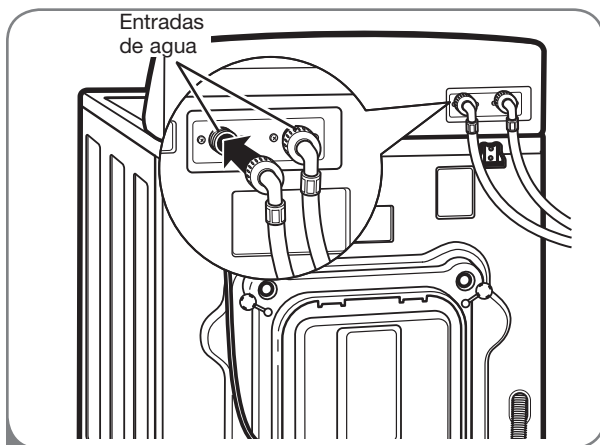
INSTRUCCIONES PARA LA INSTALACION

CONEXIÓN DE LAS TUBERÍAS DE AGUA

- **IMPORTANTE:** Cuando instale la lavadora use mangueras nuevas. NO reutilice mangueras viejas.
- **IMPORTANTE:** Usar SOLAMENTE las mangueras de la entrada proporcionadas por LG de este producto del lavadero. Las mangueras del mercado de accesorios no están garantizadas para caber o para funcionar correctamente. Otras mangueras pueden no apretar correctamente y podrían causar los escapes. El daños subsecuente al producto o a la propiedad no serán cubiertos de conformidad con la garantía de LG.
- La presión de suministro de agua debe estar entre 14,5 libras por pulgada cuadrada y 116 libras por pulgada cuadrada (100~800 kPa). Si la presión de suministro de agua es superior a 116 libras por pulgada cuadrada, debe instalar una válvula reductora de presión.
- Revise periódicamente que la manguera no tenga rajaduras, fugas y desgaste, y reemplácela de ser necesario.
- Asegúrese de que las tuberías de agua no se encuentren extendidas, apretadas, aplastadas o curvadas.
- Nunca se debe instalar ni almacenar la lavadora en un lugar expuesto a temperaturas de congelamiento. Pueden dañarse las tuberías de agua y mecanismos internos de la lavadora. Si se expone la lavadora a temperaturas de congelamiento antes de la instalación, deje que permanezca a una temperatura ambiente por varias horas antes de usar.

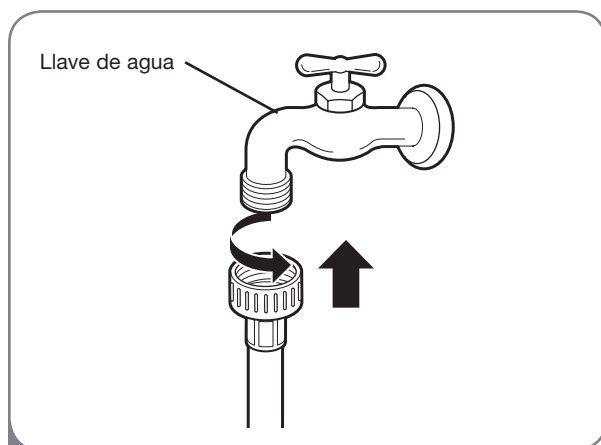


- 1 Inserte un sello de caucho en las conexiones roscadas en cada manguera.



- 2 **NOTA:** No dañe la rosca de las conexiones de manguera.

Conecte la tubería de agua caliente a la entrada roja de agua caliente en la parte posterior de la lavadora. Conecte la tubería de agua fría a la entrada azul de agua fría en la parte posterior de la lavadora. Ajuste las conexiones con firmeza.



- 3 Conecte la tubería de agua caliente a la llave de agua caliente. Conecte la tubería de agua fría a la llave de agua fría.

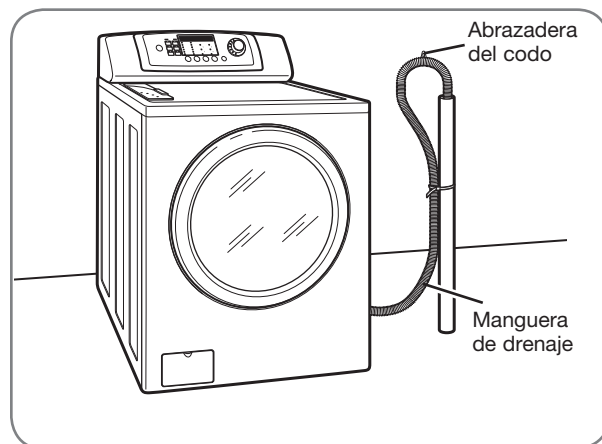
Ajuste las conexiones con firmeza. Abra las llaves de agua completamente para revisar que no haya fugas.

INSTRUCCIONES PARA LA INSTALACION

CONEXIÓN DE LA TUBERÍA DE DRENAJE

- La manguera de drenaje siempre debe estar asegurada adecuadamente. No asegurar adecuadamente la manguera de drenaje puede resultar en inundación o daños a la propiedad.
- No instalar el extremo de la manguera a una altura de más de 2,44 m (96 pulgadas) sobre la parte inferior de la lavadora.
- El drenaje debe instalarse según todos los códigos y regulaciones locales vigentes.
- Asegúrese de que las tuberías de agua no se encuentren extendidas, apretadas, aplastadas o curvadas.

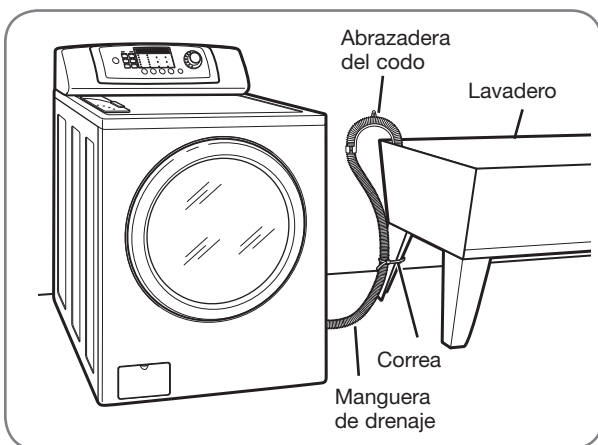
Opción 1: Tubo vertical



Enganche el extremo de la manguera en la abrazadera del codo. Inserte el extremo de la manguera de drenaje en el tubo vertical. Utilice la correa para asegurar la manguera en su lugar.

NOTA: La altura total del extremo de la manguera no deberá sobrepasar 2,44 m (96 pulgadas) desde la parte inferior de la lavadora.

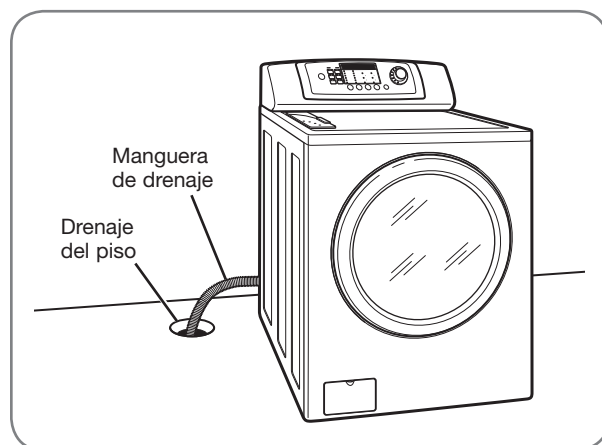
Opción 2: Lavadero



Enganche el extremo de la manguera en la abrazadera del codo. Cuelgue el extremo de la manguera sobre el lado del lavadero. Utilice la correa para asegurar la manguera en su lugar.

NOTA: La altura total del extremo de la manguera no deberá sobrepasar 2,44 m (96 pulgadas) desde la parte inferior de la lavadora.

Opción 3: Drenaje del piso



Inserte el extremo de la manguera de drenaje en el drenaje del piso. Asegure la manguera en su lugar para prevenir su movimiento.

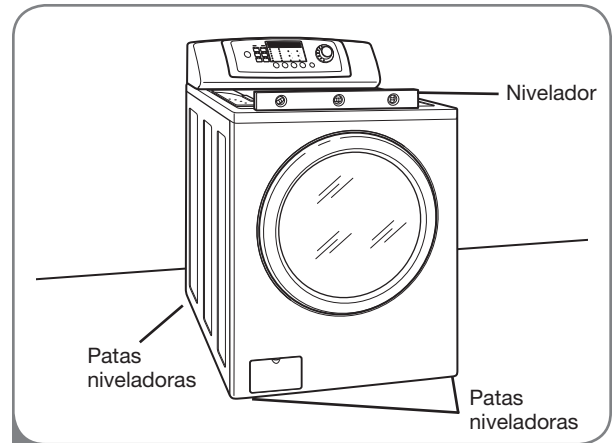
INSTRUCCIONES PARA LA INSTALACION

NIVELACIÓN DE LA LAVADORA

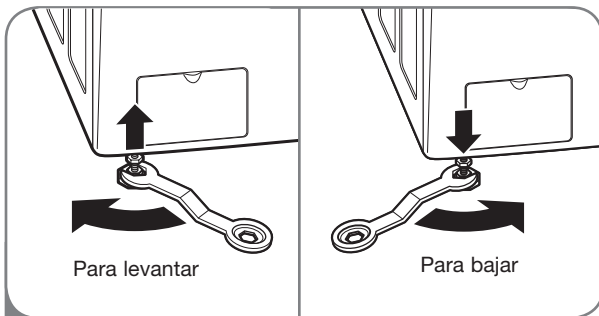
El tambor de su nueva lavadora centrifuga a velocidades muy altas, de hasta 1 200 r.p.m. Para minimizar la vibración, el ruido y movimiento no deseados, el piso deberá ser una superficie perfectamente nivelada y sólida.

NOTA: Fije las patas niveladoras solo en la medida necesaria para nivelar la lavadora. La extensión de las patas niveladoras más de lo necesario puede causar vibración de la lavadora.

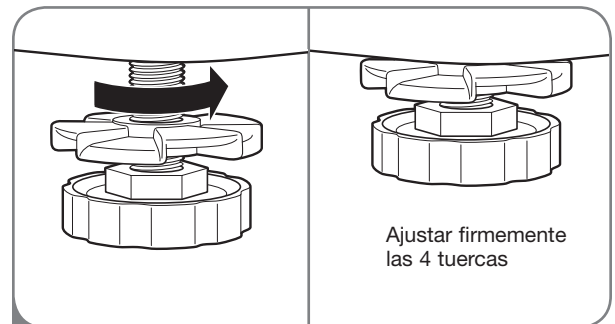
- Las 4 patas niveladoras deberán apoyarse firmemente en el piso. Mueva la lavadora suavemente de esquina a esquina para asegurarse de que no se balancee.



- 1 Coloque la lavadora en el lugar final, tomando la precaución especial de no apretar, forzar ni aplastar las tuberías de drenaje y agua. Coloque un nivelador en la parte superior de la lavadora.



- 2 Afloje las tuercas de seguridad en las 4 patas niveladoras hasta que pueda girar la pata con la llave incluida. Gire en la dirección de las agujas del reloj para levantar la lavadora o al contrario para bajarla.



- 3 Una vez que la lavadora se encuentre nivelada de lado a lado y atrás y adelante, ajuste todas las tuercas de seguridad con firmeza.

Asegúrese de que las 4 patas niveladoras se encuentran haciendo contacto firme con el piso.

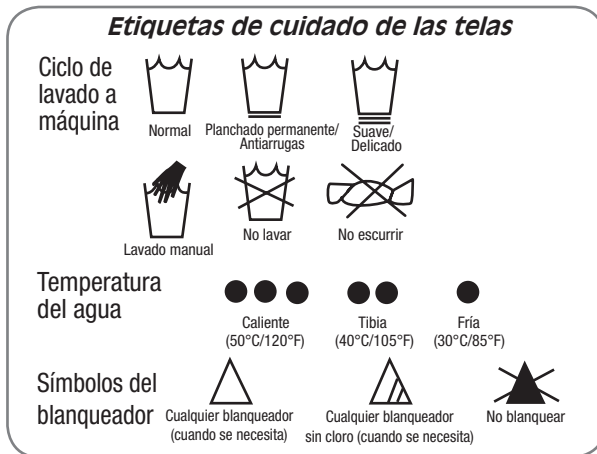
NOTA: Para asegurar que la lavadora está nivelada adecuadamente, hágala funcionar con una carga de prueba: coloque aproximadamente 3 kilos de ropa en la máquina. Luego, apriete POWER (encendido), RINSE+SPIN (enjuague+centrifugado), y el botón de START/PAUSE (inicio/pausa). Vea las siguientes secciones para obtener información adicional sobre la selección y el funcionamiento de ciclos.

Verifique que la lavadora no se meza o vibre excesivamente durante el ciclo de centrifugado. Si la lavadora vibra o se sacude, ajuste las patas niveladoras hasta que se encuentre estable y vuelva a comprobar.

CLASIFICACIÓN DE LAS CARGAS DE LAVADO

Etiquetas de cuidado de las telas

La mayoría de las prendas de vestir tienen etiquetas de cuidado de las telas para lograr un cuidado adecuado.



Agrupamiento de prendas similares

Para obtener los mejores resultados, clasifique las prendas en cargas que puedan lavarse con el mismo ciclo de lavado.

Telas diferentes tienen requisitos de mantenimiento distintos.

Siempre lave las prendas de colores oscuros separadas de las de colores claros y ropa blanca para evitar manchas. De ser posible, no lave prendas muy sucias con otras menos sucias. El cuadro indicado más abajo muestra los agrupamientos recomendados.

Clasifique los grupos de lavado...

por colores	por nivel de suciedad	por tipo de tela	por hilas
Ropa blanca	Pesada	Delicada	Producteur de peluche
Liviana	Normal	Mantenimiento fácil	Recolectora de hilachas
Oscura	Liviana	Resistente	

Carga de la lavadora

- **Revise todos los bolsillos para asegurarse de que estén vacíos. Artículos como clips, cerillos, plumas, monedas y llaves pueden dañar su lavadora o sus prendas.**
- Cierre las cremalleras, ganchos y cordones para prevenir que estos artículos se enganchen o enreden en otras prendas.
- Trate previamente las áreas muy manchadas para obtener los mejores resultados.
- Combine prendas grandes y pequeñas en una carga. Cargue primero las prendas grandes.
- Las prendas grandes no deberán ser más de la mitad de la carga de lavado total.
- Se puede cargar la lavadora completamente, pero el tambor no puede quedar colmado de prendas. La compuerta de la lavadora deberá cerrar con facilidad.
- Para prevenir una carga fuera de balance, no lave prendas solas. Añada una o dos prendas similares a la carga. Las prendas grandes, que requieren mucho espacio, tales como sábanas, cubrecamas o colchas se deben lavar individualmente.
- No lave ni centrifugue prendas impermeables.
- Cuando descargue la lavadora, revise debajo del sello de la compuerta para controlar que no haya artículos pequeños.



CÓMO USAR

SELECCIÓN DE DETERGENTE

IMPORTANTE: Su lavadora está diseñada para usarse **exclusivamente** con detergentes de alta eficiencia (HE). Los detergentes de alta eficiencia están formulados específicamente para las lavadoras de carga frontal y contienen agentes reductores de espuma. Busque siempre el símbolo de alta eficiencia (HE) cuando compra detergente.

Los detergentes de alta eficiencia producen menos espuma, se disuelven más eficientemente para mejorar el desempeño de lavado y enjuague, y ayudan a mantener limpio el interior de su lavadora.

Utilizar un detergente regular puede causar demasiada espuma y desempeño insatisfactorio.

IMPORTANTE: No coloque o almacene productos de lavado como detergente, blanqueador o suavizante líquido en la parte superior de su lavadora o secadora. Limpie inmediatamente cualquier derrame. Estos productos pueden dañar el acabado y los controles.



Diseñada específicamente para usar con el detergente tipo HE (Alta eficiencia)

DETALLES SOBRE EL DEPÓSITO

El cajón de suministro automático consiste en 4 compartimentos que almacenan:

- Blanqueador líquido.
- Suavizante líquido de telas.
- Detergente líquido o en polvo para el prelavado.
- Detergente líquido o en polvo y cloro a prueba de decoloramiento para el lavado principal.

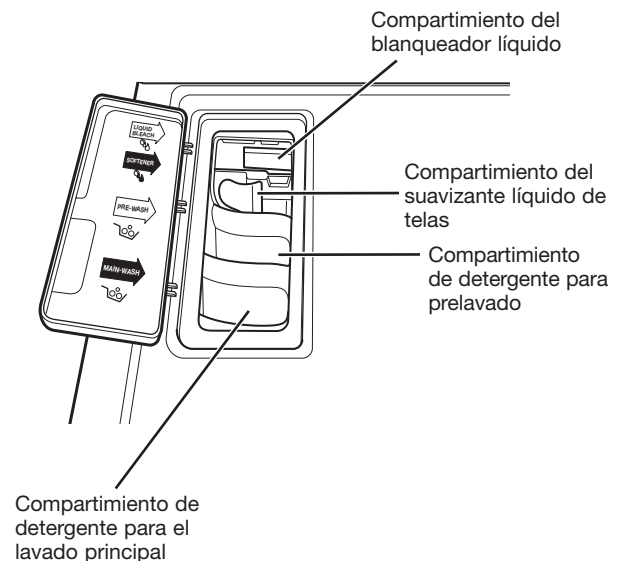
Se pueden añadir todos los productos de lavado al mismo tiempo en sus respectivos compartimentos de suministro. Serán suministrados en el momento adecuado para brindar el lavado más eficaz.

Después de añadir los productos de lavado al depósito, cierre el cajón de depósito.

Para añadir detergente, blanqueador, y suavizante al cajón de suministro automático:

- 1 Abra el cajón de depósito.
- 2 Cargue los productos de lavado en los compartimientos adecuados.
- 3 Cierre lentamente el cajón de depósito para evitar la salida temprana de los productos.

NOTA: Es normal que una cantidad pequeña de agua permanezca en los compartimientos de suministro al final del ciclo.



CARGA DEL DEPÓSITO

Compartimiento de detergente para prelavado

Agregue el detergente líquido o en polvo a este compartimiento cuando se usa la opción de Prewash (prelavado). Use siempre detergente tipo HE (de alta eficiencia) con su lavadora.

- La cantidad de detergente agregado para la opción de prelavado debe ser la mitad de la cantidad para el ciclo de lavado principal. Por ejemplo, si el ciclo de lavado principal requiere una medida de detergente, añada media medida para la opción de prelavado.

NOTA: Si usted use el detergente líquido para el lavado principal cuando se usa la opción de prelavado, el accesorio de la taza de detergente **debe** ser usado en el depósito del lavado principal para evitar que el detergente líquido de lavado principal está suministrado inmediatamente.

Compartimiento de detergente para el lavado principal

Este compartimiento alberga el detergente para el ciclo de lavado principal, el cual se agrega a la carga al principio del ciclo. Use siempre detergente tipo HE (de alta eficiencia) con su lavadora.

Cuando agregue detergente **nunca** sobrepase las recomendaciones del fabricante. Utilizar demasiado detergente puede resultar en la acumulación del mismo en las prendas y en la lavadora. Se puede utilizar tanto detergente líquido como en polvo.

- Cuando usa detergente líquido, asegúrese de que la taza e inserto se encuentran colocados en su sitio. No exceda la línea de llenado máxima.
- Cuando utiliza detergente en polvo, quite el inserto y la taza de detergente líquido del compartimiento. El detergente en polvo no se suministrará si están colocados la taza de detergente líquido y el inserto.

NOTA: Se puede agregar el blanqueador a prueba de decoloramiento líquido o en polvo al compartimiento de lavado principal utilizando detergente del mismo tipo.

Compartimiento de blanqueador líquido

Este compartimiento alberga blanqueador líquido, que se suministrará automáticamente en el momento adecuado del ciclo de lavado.

- No agregue blanqueador a prueba de decoloramiento líquido o en polvo a este compartimiento.
- Siga siempre las recomendaciones del fabricante cuando agregue blanqueador. No exceda la línea de llenado máxima. Usar demasiado blanqueador puede dañar las telas.
- Nunca descargue blanqueador líquido no diluido directamente en la carga o en el tambor. Puede dañar las telas.

Compartimiento del suavizante

Este compartimiento alberga el suavizante líquido de telas, que se suministrará automáticamente durante el ciclo de enjuague final.

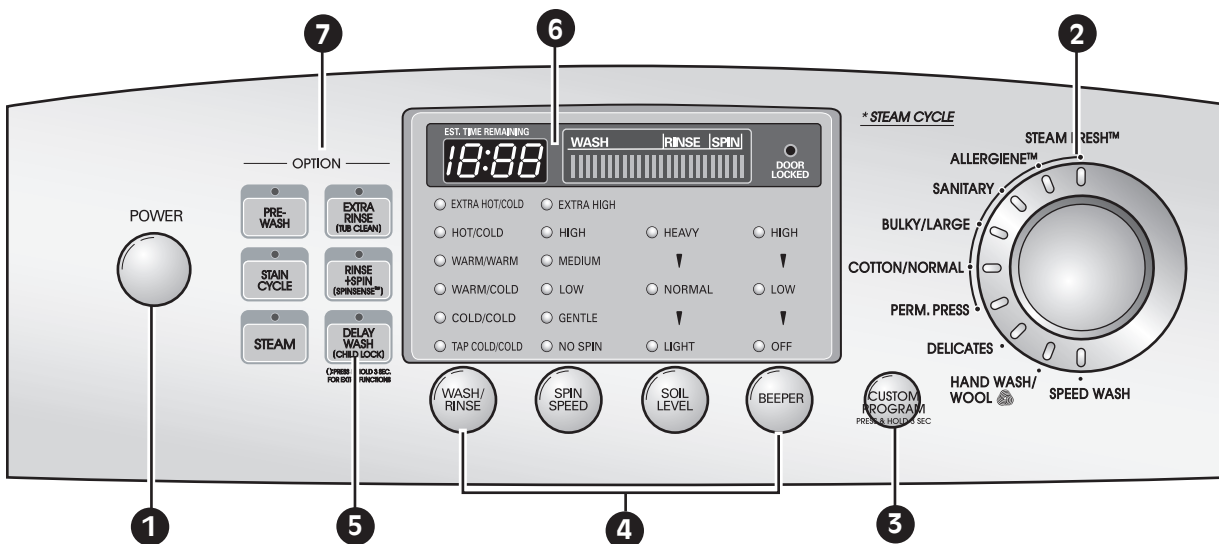
- Siga siempre las recomendaciones del fabricante cuando agregue suavizante. No exceda la línea de llenado máxima. Usar demasiado suavizante puede causar que las telas se manchen.
- Diluya los suavizadores de tela concentrados junto con agua caliente. No exceda la línea de llenado máxima.
- Nunca agregue suavizador de tela directamente en la carga o en el tambor.



Diseñada específicamente para usar con el detergente tipo HE (Alta eficiencia)

CÓMO USAR

CARACTERÍSTICAS DEL PANEL DE CONTROL



1 BOTÓN DE ENCENDIDO/APAGADO

Apriete el botón para ENCENDER la lavadora. Apriete nuevamente para APAGAR la lavadora.

NOTA: Apretar el botón de ENCENDIDO/APAGADO durante un ciclo cancelará ese ciclo y borrará cualquier programación de carga.

2 PERILLA SELECTORA DE CICLOS

Gire esta perilla para seleccionar el ciclo deseado. Una vez que se haya seleccionado el ciclo deseado, los preajustes estándar se mostrarán en la pantalla. Se pueden programar estos ajustes usando los botones de programación de ciclos en cualquier momento antes del inicio.

Presione esta perilla para iniciar (START) el ciclo seleccionado. Si la lavadora está funcionando, utilice esta perilla para detener (PAUSE) el ciclo sin perder las configuraciones actuales.

NOTA: Si no presiona la perilla selectora de ciclos dentro de los 4 minutos después de haber seleccionado un ciclo, la lavadora se apaga automáticamente.

3 BOTÓN DE PROGRAMA PERSONALIZADO

Presione el botón CUSTOM PROGRAM para guardar y acceder a un ciclo de lavado personalizado para usos futuros.

Usted también puede guardar las configuraciones de ciclo (Cycle), temperatura de lavado/enjuague (Wash/Rinse Temperature), velocidad de centrifugado (Spin Speed) y nivel de suciedad (Soil Level), además de otras opciones de ciclo.

4 BOTONES DE PROGRAMACIÓN DE CICLOS

Utilice estos botones para seleccionar las opciones de ciclo deseadas para el ciclo seleccionado.

5 BOTÓN DE DELAY (DEMORA)

Apriete el botón de DELAY (demora) para demorar el inicio del ciclo de lavado. Cada vez que se aprieta este botón se aumenta el tiempo de demora en lapsos de 1 hora, hasta 12 horas.

6 HORA Y ESTADO

La pantalla muestra los ajustes, tiempo restante estimado, opciones y mensajes del estado actual de su lavadora.

7 BOTONES DE OPCIONES

Los botones de opciones le permiten seleccionar opciones adicionales de ciclo y se encenderán cuando se seleccionan. Ciertos botones también le permitirán activar funciones especiales apretando y manteniendo apretado el botón por 3 segundos.

Para obtener información detallada sobre las opciones individuales, consulte las siguientes páginas.

CÓMO USAR

GUÍA DE CICLOS

La guía de ciclos indicada más abajo muestra las opciones y tipos de telas recomendadas para cada ciclo.

Ciclo	Tipo de tela	Temp. Lavado/ Enjuague	Velocidad de giro	Nivel de suciedad	Prelavado	Enjuague+ Centrifugado	Enjuague adicional	Ciclo para manchas	Vapor
Steam Fresh™	Camisas de etiqueta, blusas								●
Sanitary (Sanitario)	Ropa interior muy sucia, ropa de trabajo, pañales, etc.	Extra Caliente/Frío	Alto	Normal					
			Extra alto No exprimido Bajo Mediano	Pesado Leve	●	●	●	●	●
Bulky/Large (Voluminoso/ Grande)	Prendas grandes tales como mantas y edredones	Tibio/ Frío	Gentil	Normal					
		Tibio / Tibio Caliente / Frío Ligeramente Frío/Frío Frío / Frío	Bajo Mediano No exprimido	Pesado Leve	●	●	●	●	●
Perm. Press (PRENSAR PERMANENTE)	Camisas de etiqueta/ pantalones, ropa antiarrugas, ropas de mezcla poliéster/ algodón, manteles	Tibio/ Frío	Mediano	Normal					
		Tibio / Tibio Caliente / Frío Ligeramente Frío/Frío Frío / Frío	Alto No exprimido Gentil Bajo	Pesado Leve	●	●	●	●	●
Cotton/ Normal (Algodón/ Normal)	Algodón, lino, toallas, camisas, vaqueros, cargas mixtas	Tibio/ Frío	Alto	Normal					
		Tibio / Tibio Caliente / Frío Ligeramente Frío/Frío Frío / Frío	Extra alto No exprimido Bajo Mediano	Pesado Leve	●	●	●	●	●
Allergiene	Algodón, ropa interior, fundas de almohadas, sábanas, ropa de bebé		Alto						
			No exprimido Bajo Mediano						●
Delicates (Delicado)	Camisas de etiqueta/ blusas, prendas de nylon, muy finas o de encaje	Frío / Frío	Bajo	Normal					
		Tibio/ Frío Tibio / Tibio Ligeramente Frío/Frío	Mediano No exprimido Gentil	Pesado Leve	●	●	●		
Hand Wash/ Wool (Lavar Mano/Lana)	Prendas etiquetadas como "lavables a mano (hand-washable)"	Tibio/ Frío	Bajo	Normal					
		Tibio / Tibio Ligeramente Frío/Frío Frío / Frío	No exprimido Gentil	Leve		●	●		
Speed Wash (Lavar Rapido)	Ropa ligeramente sucia y cargas	Caliente / Frío	Extra alto	Leve					
		Ligeramente Frío/Frío Frío / Frío Tibio/ Frío Tibio / Tibio	No exprimido Gentil Bajo Mediano Alto	Normal Pesado		●	●		

NOTA: Para proteger sus prendas de vestir, no todas las temperaturas de lavado/enjuague, velocidades de centrifugado, niveles de suciedad u opciones están disponibles en cada ciclo.

CÓMO USAR

LA PANTALLA DE HORA Y ESTADO

La pantalla de hora y estado muestra el progreso del ciclo y el tiempo restante estimado, opciones de ciclos y otros mensajes del estado actual de su lavadora.



1 ESTIMATED TIME REMAINING (TIEMPO RESTANTE ESTIMADO)

Cuando se aprieta el botón INICIO/PAUSA, la lavadora detecta automáticamente la carga de lavado (peso) y optimiza el tiempo de lavado, en base al ciclo y las opciones seleccionados. Luego la pantalla indicará el tiempo restante estimado para dicho ciclo.

NOTA: El tiempo de ciclo mostrado puede mostrarse mucho más largo que el de una lavadora de carga superior. El tiempo mostrado corresponde al ciclo completo, y no solo la porción de agitación del ciclo, como se muestra típicamente en una lavadora de carga superior.

3 INDICADOR DE SEGURO DE LA COMPUERTA

Indica que la compuerta está asegurada. La compuerta de la lavadora se asegurará mientras la lavadora se encuentra funcionando. La puerta puede destrabarse presionando la perilla selectora de ciclo para detener la lavadora.

NOTE: Si la temperatura en la lavadora es demasiado alta, no se podrá liberar la compuerta hasta que se haya enfriado la lavadora. Si el nivel de agua es demasiado alto, seleccione el ciclo DRAIN & SPIN (drenaje y centrifugado) para drenar el exceso de agua. No intente forzar la apertura de la compuerta.

2 INDICADOR DE FINALIZACIÓN DE CICLO

Indica el nivel de finalización del ciclo de lavado actual.

FUNCIONAMIENTO DE LA LAVADORA

Una vez que ha cargado la lavadora y añadido los productos de lavado (detergente, blanqueador y/o suavizante):

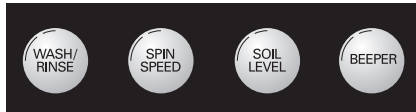
- 1 Apriete el botón de ENCENDIDO/APAGADO para encender la lavadora. Las luces alrededor de la perilla selectora de ciclos se iluminarán.



- 2 Gire la perilla selectora al ciclo deseado. La pantalla mostrará el preajuste programado de Rinse/Wash Temperature (temperatura de enjuague/lavado), Spin Speed (velocidad de centrifugado), Soil Level (nivel de suciedad), y Option (opción) para ese ciclo.



- 3 Si desea cambiar los ajustes para ese ciclo, presione el botón(es) de ajuste de ciclo adecuado hasta que la luz que indica el ajuste deseado se encienda.



NOTA: Para proteger sus prendas de vestir, no todas las temperaturas de lavado/enjuague, velocidades de centrifugado, niveles de suciedad u opciones están disponibles en cada ciclo.

- 4 Seleccione cualquier otra opción de ciclo adicional, como PRE-WASH, STAIN CYCLE, STEAM, EXTRA RINSE, RINSE + SPIN, o DELAY WASH, presionando el botón para esa opción.



NOTA: Para proteger sus prendas de vestir, no todas las temperaturas de lavado/enjuague, velocidades de centrifugado, niveles de suciedad u opciones están disponibles en cada ciclo.

- 5 Presione la perilla selectora de ciclo para iniciar el ciclo. La compuerta se asegurará, la pantalla cambiará, y la lavadora calculará el tiempo restante estimado. Una vez que la lavadora haya calculado el tiempo de ciclo total estimado, comenzará a trabajar. Para pausar el ciclo en cualquier momento, presione la perilla selectora de ciclo.



NOTA: El tiempo de ciclo mostrado puede mostrarse mucho más largo que el de una lavadora de carga superior.

El tiempo mostrado corresponde al ciclo completo, no solo la porción de agitación del ciclo, como se muestra típicamente en una lavadora de carga superior.

NOTA: Si la temperatura en la lavadora es demasiado alta, no se podrá liberar la compuerta hasta que se haya enfriado la lavadora. Si el nivel de agua es demasiado alto, seleccione el ciclo DRAIN & SPIN (drenaje y centrifugado) para drenar el exceso de agua. No intente forzar la apertura de la compuerta.

Se puede reducir significativamente el tiempo de lavado para cargas pequeñas o poco sucias seleccionando el ciclo de Speed Wash (lavado rápido) y programando el botón de Soil Level (nivel de suciedad) a Light (ligero).

- 6 Cuando se ha terminado la carga, la alarma (de haberse programado) sonará y se desasegurará la compuerta.

Quite las prendas húmedas fuera de la lavadora inmediatamente. Revise debajo del sello de la compuerta observando que no haya artículos pequeños.

CÓMO USAR

CICLOS DE VAPOR



Los ciclos de STEAM incluyen SteamFresh™, Allergiene™, Sanitary, Bulky/Large, Cotton/Normal y Prem. Press. Añadir la opción de vapor a estos ciclos permite un mejor desempeño de limpieza a la vez que se ahorra energía y consumo de agua. Al usar un chorro de vapor caliente desde arriba y agua más fría más abajo, las telas obtienen los beneficios de limpieza de un lavado súper caliente, sin el uso de energía o daño potencial a las telas.

Para añadir vapor al ciclo estándar:

- 1 Encienda la lavadora y gire la perilla selectora de ciclos para seleccionar un ciclo con la opción STEAM (vapor).
- 2 Apriete el botón STEAM (vapor). La lavadora programará automáticamente los ajustes de ciclo.
- 3 Programe cualquiera de las demás opciones deseadas.
- 4 Apriete el botón INICIO/PAUSA para iniciar el ciclo. La lavadora iniciará automáticamente.

PRECAUCIÓN:

No toque la compuerta durante los ciclos de vapor. La superficie de la compuerta puede estar muy caliente. Permita que el seguro de la compuerta se libere antes de abrir la compuerta.

No intente forzar el mecanismo de seguro de la compuerta o meter la mano dentro de la lavadora durante un ciclo de vapor. El vapor puede causar quemaduras severas.

NOTAS IMPORTANTES SOBRE LOS CICLOS DE VAPOR:

- Puede que el vapor no sea claramente visible durante los ciclos de vapor. Esto es normal. Demasiado vapor podría dañar las prendas.
- No utilice el vapor en telas delicadas tales como lana, seda o telas que se decoloren fácilmente.
- No toque la compuerta.

Cómo usar el ciclo SteamFresh™

SteamFresh usa el poder del vapor por sí solo para reducir arrugas y olores en las telas. Brinda nueva vida a prendas arrugadas que han sido almacenadas por un período prolongado de tiempo y facilita el planchado en prendas muy arrugadas. SteamFresh también puede usarse para ayudar a reducir los malos olores de las telas.

Utilice el ciclo SteamFresh:

- 1 Encienda la lavadora y gire la perilla selectora de ciclos hasta el ciclo SteamFresh.
- 2 Cargue hasta 5 prendas y cierre la compuerta.
NOTA: Si hay humedad dentro del tambor, de un ciclo de lavado previo, séquelo con una toalla antes de agregar las prendas.
- 3 Apriete el botón STEAM (vapor) hasta que se indique el número correcto de prendas en la pantalla. No se necesita programar ninguna otra opción.
- 4 Apriete el botón INICIO/PAUSA para iniciar el ciclo.

Después de completar el ciclo SteamFresh, la lavadora volteará las prendas durante un máximo de 30 minutos para prevenir la formación de arrugas.

Después de sacar las prendas del ciclo SteamFresh, pueden sentirse levemente húmedas. Coloque las prendas en un colgador durante 10 minutos para que se sequen.

- No se recomienda utilizar el ciclo SteamFresh en prendas que sean 100% de algodón.
- Elimine las manchas de las prendas antes de utilizar el ciclo Steam Fresh; el calor hará que las manchas se fijen permanentemente.
- No utilice SteamFresh con las siguientes prendas: lana, cobijas, chaquetas de cuero, seda, prendas mojadas, lencería, productos de espuma o cobijas eléctricas.
- Se lograrán mejores resultados cuando las prendas sean similares en tamaño y tipo de tela. No sobrecargue.

BOTONES DE AJUSTE DE CICLO

Cada ciclo tiene ajustes preprogramables que se seleccionan automáticamente. También puede personalizar los ajustes utilizando los botones de programación de ciclos. Presione el botón para dicho ajuste hasta que la luz que indica el valor deseado se encienda.

La lavadora ajusta automáticamente el nivel de agua según el tipo y tamaño de la carga de lavado para proporcionar los mejores resultados y eficiencia máxima. Puede parecer que no hay agua dentro del tambor en algunos ciclos, pero esto es normal.

NOTA: Para proteger sus prendas de vestir, no todas las temperaturas de lavado/enjuague, velocidades de centrifugado, niveles de suciedad u opciones están disponibles en cada ciclo. Vea la Guía de ciclos para obtener más detalles.

WASH/RINSE (lavado/enjuague)

Selecciona la combinación de temperatura de lavado y enjuague para el ciclo seleccionado. Apriete el botón WASH/RINSE (lavado/enjuague) hasta que la luz que indica el ajuste deseado se encienda.

- Su lavadora contiene un elemento de calentamiento que propulsa la temperatura del agua caliente para ajustes extra calientes (Extra Hot). Esto brinda un desempeño de lavado mejorado que con los ajustes de calefactor de agua normales.
- Seleccione la temperatura de agua adecuada para el tipo de carga que se encuentra lavando. Siga las instrucciones de la etiqueta de mantenimiento de la tela para obtener los mejores resultados.
- Los enjuagues tibios se regulan en aproximadamente 86°F (30°C).
- Los enjuagues calientes dejan las cargas más secas que los fríos. Los enjuagues calientes pueden aumentar las arrugas.
- En climas fríos, un enjuague caliente permite mayor comodidad en la manipulación de la carga.
- Los enjuagues fríos ahorran energía, y la temperatura del enjuague depende del agua fría de la canilla.



SPIN SPEED (velocidad de centrifugado)

El tambor de la lavadora centrifuga a 1 200 r.p.m.



Esto extrae mayor cantidad de agua de la ropa, reduce el ciclo de secado y ahorra energía.

Apriete el botón SPIN SPEED (velocidad de centrifugado) hasta que la luz que indica el ajuste deseado se encienda. Algunas telas, como las delicadas, requieren una velocidad de centrifugado más lenta.

El ciclo de Drain & Spin (drenaje y centrifugado):

El botón de Spin Speed (velocidad de centrifugado) también activa el ciclo de Drain & Spin (drenaje y centrifugado) para drenar el lavado y centrifugar las prendas; por ejemplo, si desea sacar las prendas antes de que el ciclo haya terminado.

SOIL LEVEL (nivel de suciedad)

Ajusta el ciclo seleccionado para permitir más tiempo de lavado para prendas muy sucias o menos tiempo para prendas levemente sucias. Presione el botón SOIL LEVEL (nivel de suciedad) hasta que la luz que indica el ajuste deseado se encienda.



BEEPER (alerta sonora)



Presione repetidamente para ajustar el volumen de la alerta sonora. Usted puede encender o apagar la alarma sonora de finalización de ciclo con el botón BEEPER.

CÓMO USAR

PROGRAMA PERSONALIZADO (CUSTOM PROGRAM)



El programa CUSTOM PROGRAM le permite guardar un ciclo de lavado personalizado para uso futuro. Permite guardar la temperatura, la velocidad de centrifugado, nivel de suciedad y otras opciones favoritas para un ciclo, y luego pueden accederse a ellas presionando un botón.

Para guardar un programa personalizado:

- 1 Seleccione un ciclo.
- 2 Ajuste la temperatura de lavado/enjuague, velocidad de centrifugado y nivel de suciedad a las configuraciones deseadas.
- 3 Configure otras opciones deseadas.
- 4 Presione y sostenga el botón CUSTOM PROGRAM (programa personalizado) durante 3 segundos. Escuchará dos pitidos para confirmar que se han guardado las configuraciones.

IMPORTANTE: Si presiona y sostiene el botón CUSTOM PROGRAM (programa personalizado) durante 3 segundos, eliminará cualquier otro programa personalizado que haya guardado anteriormente.

Para acceder a un programa personalizado ya guardado:

- 1 Presione y libere el botón CUSTOM PROGRAM (programa personalizado). Podrán verse las configuraciones guardadas.
- 2 Presione y libere el botón de START/PAUSE (inicio/pausa) para iniciar el ciclo. La lavadora se encenderá automáticamente.

BOTONES DE OPCIÓN DE CICLO

Su lavadora dispone de varias opciones de ciclo adicionales, las cuales personalizan los ciclos para cumplir con sus necesidades individuales. Ciertos botones de opción también incorporan una función especial (vea la siguiente página para obtener mayor información) que puede activarse apretando y manteniendo apretado ese botón de opción por 3 segundos.

Para añadir opciones de ciclo al ciclo:

- 1 Encienda la lavadora y gire la perilla selectora de ciclos para seleccionar el ciclo deseado.
- 2 Use los botones de programación de ciclo para fijar los ajustes para ese ciclo.
- 3 Apriete el(los) botón(es) de opción de ciclo para la opción que desea añadir. Los botones de opción de ciclo, a excepción de DELAY (demora), se encenderán cuando se seleccionan.
- 4 Presione la perilla selectora de ciclo para iniciar el ciclo. La lavadora se iniciará automáticamente.

NOTA: Para proteger sus prendas de vestir, no todas las temperaturas de lavado/enjuague, velocidades de centrifugado, niveles de suciedad u opciones están disponibles en cada ciclo. Vea la Guía de ciclos para obtener más detalles.

STEAM (vapor)



Use el botón STEAM (vapor) para añadir vapor al ciclo para añadir poder de limpieza adicional y eficiencia mejorada. Vea la sección de *Ciclos de vapor* para obtener detalles adicionales.

NOTA: No se pueden usar todos los ciclos con la opción STEAM (vapor).

DELAY (demora)



Una vez que haya seleccionado el ciclo y otros ajustes, apriete este botón para demorar el inicio del ciclo de lavado. Cada vez que se aprieta este botón se aumenta el tiempo de demora en lapsos de 1 hora, hasta 12 horas.

PREWASH (prelavado)



Seleccione esta opción para añadir un prelavado de 16 minutos y un ciclo de centrifugado al ciclo escogido. Esta opción es especialmente útil para artículos muy sucios.

RINSE+SPIN (enjuague+centrifugado)



Seleccione esta opción para enjuagar y centrifugar una carga separadamente de un ciclo regular. Esto puede ser útil para prevenir que manchas frescas permanezcan en las telas.

Para activar el ciclo Rinse+Spin (enjuague+centrifugado):

- 1 Apriete el botón ON/OFF (encendido/apagado) para encender la lavadora.
- 2 Apriete el botón RINSE+SPIN (enjuague+centrifugado).
- 3 Presione la perilla selectora de ciclo.

EXTRA RINSE (enjuague adicional)



Esta opción añadirá un ciclo de enjuague extra al ciclo seleccionado. Use esta opción para ayudar a asegurar la eliminación de residuos de detergente o blanqueador de las telas.

STAIN CYCLE (ciclo para manchas)



Seleccione esta opción para prendas muy sucias, tales como prendas de juego o de trabajo. El Ciclo para manchas añadirá tiempo de lavado al ciclo seleccionado, así como un ciclo de enjuague adicional.

FUNCIONES ESPECIALES

Los botones de función también activan funciones especiales, incluyendo CHILD LOCK, SPINSENSE™ e TUB CLEAN. Apriete y mantenga apretado el botón de opción marcado con la función especial por 3 segundos para activar.

CÓMO USAR

FUNCIONES ESPECIALES (cont.)

CHILD LOCK (seguro infantil)

Use esta función para prevenir el uso no deseado de la lavadora o para impedir cambiar los ajustes de un ciclo mientras la lavadora se encuentra en funcionamiento. Apriete y mantenga apretado el botón de DELAY (demora) por 3 segundos para activar o desactivar el CHILD LOCK (seguro infantil).

Se mostrará el símbolo de CHILD LOCK en la pantalla, y todos los controles permanecerán desactivados. Se puede bloquear a la lavadora durante un ciclo. Cuando CHILD LOCK este seleccionado, la pantalla alterna entre CL y el tiempo restante.

SPINSENSE™ (SENSOR DE GIRO)

SPINSENSE™ se puede utilizar para reducir o eliminar vibraciones, especialmente sobre instalaciones en pisos de madera.

Para activar SPINSENSE™:

Mientras la lavadora está realizando un ciclo, presione y sostenga el botón RINSE+SPIN durante 3 segundos.

La luz del botón de RINSE+SPIN titilará mientras la lavadora está funcionando para mostrar que SPINSENSE™ está activo. La función SPINSENSE™ permanecerá activa durante cada ciclo, incluso si se produjera un corte de luz.

Para desactivar SPINSENSE™:

Presione y sostenga el botón de RINSE+SPIN durante 3 segundos para apagar la función SPINSENSE™.

TUB CLEAN (limpieza de lavadero)

Puede ocurrir la acumulación de residuos de detergente en el lavadero después de algún tiempo, lo que puede causar un olor a humedad o moho. El ciclo TUB CLEAN (limpieza de lavadero) está especialmente diseñado para eliminar esta acumulación. Apriete y mantenga apretado el botón EXTRA RINSE (enjuague adicional) por 3 segundos para activar este ciclo. La pantalla mostrará un mensaje de añadir blanqueador líquido en el cajón de depósito. Después que haya terminado el ciclo, abra la compuerta y permita que el interior del tambor se seque completamente.

NOTA: NO use este ciclo con prendas, NI añada detergente o suavizante.

ALLERGIENE™

El ALLERGIENE™ es un ciclo poderoso y alto de la temperatura diseñado para reducir específicamente ciertos alérgenos.

- La selección del ciclo "ALLERGIENE™" automáticamente incorpora el vapor en el ciclo del lavado.
- El ciclo ALLERGIENE™ puede apreciablemente reducir alérgenos en el ropa de cama y la ropa.
- El ciclo ALLERGIENE™ ayuda a reducir a poblaciones de arado de polvo y ayuda a reducir alérgenos.
- Debido al uso de la alta energía y temperatura, el ciclo ALLERGIENE™ no es recomendado para la lana, la seda, el cuero, ni cualquier otro artículo delicado y sensibles a la temperatura.

Lavar Mano/Lana

- Sólo las prendas de lana marcadas como "apta para lavadora" deben lavarse en esta máquina.
- Lave sólo pequeñas cargas para un cuidado óptimo de las telas (menos de 8 libras).
- Sólo deben usarse detergentes neutrales (aptos para lana) (Sólo se necesita una pequeña cantidad de detergente debido al tamaño pequeño de carga y el bajo volumen de agua del ciclo).
- El ciclo HANDWASH/WOOL (Lavar Mano/Lana) utiliza un secado delicado y un centrifugado de baja velocidad para un cuidado extremo de las telas.



WOOLMARK

El ciclo de lavado de lana de esta máquina ha sido aprobado por Woolmark para el lavado de productos Woolmark aptos para lavadoras siempre que tales productos se laven de acuerdo con las instrucciones de la etiqueta de la prenda y las emitidas por el fabricante de esta lavadora, M0708.



Certified by NSF
Certificado por NSF

NSF International (formalmente La Base Nacional de Saneamiento) certifica el curso **SANITARIO**, cuyo objetivo es reducir 99,9% de bacterias, no se convertirá a la próxima carga después del ciclo en la lavadora

LIMPIEZA REGULAR

⚠️ ADVERTENCIA:

- **Desenchufe la lavadora antes de limpiar la misma para evitar el riesgo de descargas eléctricas.** Si no se cumple con esta advertencia se podrán producir heridas graves, incendios, descargas eléctricas o muerte.
- **Al limpiar la lavadora nunca utilice químicos de corte, limpiadores abrasivos o solventes.** Los mismos dañarán su aspecto.

Limpieza del exterior

El mantenimiento adecuado de su lavadora podría prolongar su vida útil. El exterior de la unidad puede limpiarse con agua tibia y un detergente de jabón medio, no abrasivo.

Limpie inmediatamente cualquier clase de fuga, con un trapo suave húmedo.

IMPORTANTE: No use alcohol desnaturalizado, disolventes o productos similares.

Nunca use limpiadores abrasivos o de lana metálica; pueden dañar la superficie.

Mantenimiento y limpieza del interior

Use una toalla o trapo suave para pasar por la apertura de la compuerta de la lavadora, el burllete y/o la compuerta de vidrio. Estas áreas deben mantenerse limpias para asegurar la impermeabilidad. Asegúrese de limpiar debajo del sello de caucho interior para eliminar cualquier resto de humedad o suciedad.

Siempre remueva artículos de la lavadora tan pronto como se complete el ciclo. De lo contrario se podrían causar arrugas, transferencias de color y mal olor.

Ejecute el ciclo TUB CLEAN (limpieza de lavadero) regularmente para eliminar la acumulación de detergente y otros residuos.

Limpieza de las boquillas de circulación de vapor y agua

Utilice un hisopo de algodón para eliminar los depósitos de calcio o acumulación de detergente del interior de las boquillas de circulación de agua y vapor. **NUNCA** use un objeto filoso o puntiagudo; podría dañar las boquillas.

Cómo quitar las manchas del sellado de la puerta

NOTA: Use guantes de goma y protección ocular mientras realiza el siguiente procedimiento:

- 1 Diluya 3/4 taza (177 ml) de lejía líquida con 1 galón (3,8 L) de agua tibia/caliente.
- 2 Utilice esta solución para limpiar todas las superficies de la junta a fin de quitar los depósitos que estén provocando los olores. (Asegúrese de doblar el reborde de la junta para llegar bajo el extremo donde pueden acumularse residuos).
- 3 Limpie la junta con un paño seco.

- 4 Deje la puerta abierta para que la junta se seque por completo. No use lejía sin diluir porque puede dañar la junta. Siga las instrucciones del fabricante para un uso adecuado de la lejía. Si la junta no puede limpiarse adecuadamente, ésta debe cambiarse.

Almacenamiento de la lavadora

Si no se utilizará la lavadora por un período prolongado de tiempo y se encuentra en un área que puede estar expuesta a temperaturas de congelamiento:

- 1 Cierre la llave de suministro de agua.
- 2 Desconecte las mangueras del suministro de agua y drene el agua de las mangueras.
- 3 Conecte el cable eléctrico a un tomacorriente conectado a tierra correctamente.
- 4 Añada 3,8 litros de anticongelante para vehículo recreacional en el tambor vacío de la lavadora. Cierre la compuerta.
- 5 Seleccione el ciclo de centrifugado y deje que la lavadora centrifugue por 1 minuto para drenar el agua.
NOTA: NO todo el anticongelante para vehículo recreacional será expulsado.
- 6 Desconecte el cable eléctrico, seque el interior del tambor con un trapo suave, y cierre la compuerta.
- 7 Quite los insertos del depósito. Drene cualquier resto de agua en los compartimientos y séquelos.
- 8 Almacene la lavadora en posición vertical.
- 9 Para eliminar el anticongelante de la lavadora después del almacenamiento, active la lavadora por un ciclo completo utilizando detergente. **¡No añada prendas para lavar!**

Eliminación de la acumulación de cal

Si vive en un área con agua dura, se pueden formar depósitos calcáreos a partir de los componentes internos de la lavadora. Se recomienda el uso de ablandador de agua en áreas con agua dura. Si se utiliza un desincrustante, asegúrese de que sea el adecuado para usar con una lavadora, y active el ciclo TUB CLEAN (limpieza de lavadero) antes de lavar prendas.

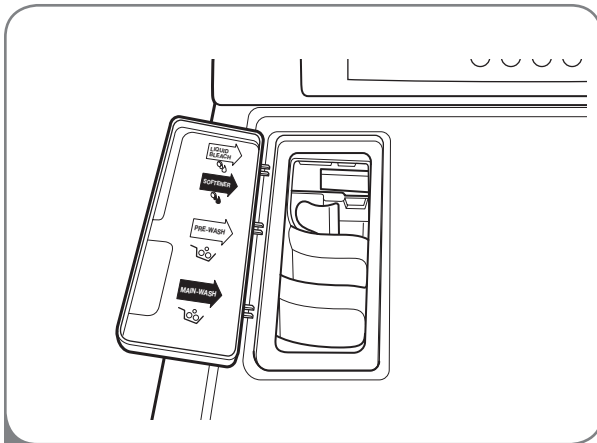
Se pueden eliminar los depósitos calcáreos y otras manchas del tambor de acero inoxidable utilizando un limpiador para acero inoxidable. NO use lana de acero ni limpiadores abrasivos; pueden dañar la superficie.

MANTENIMIENTO Y LIMPIEZA

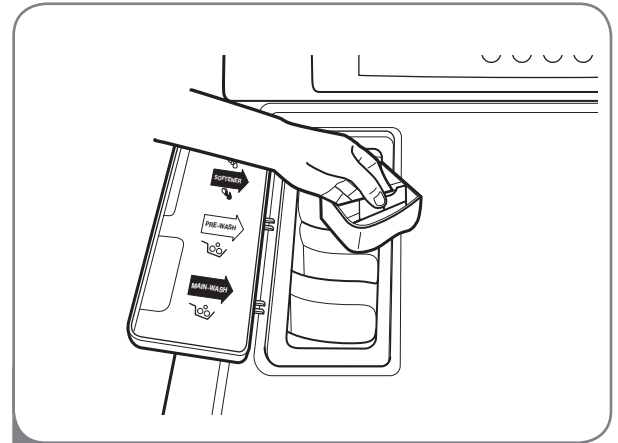
LIMPIEZA DE LA LAVADORA

Limpieza del depósito

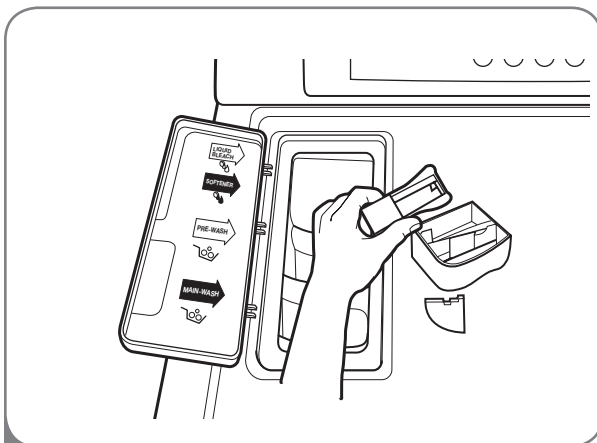
Se debe limpiar el depósito periódicamente para eliminar la acumulación de detergente y otros productos de lavandería.



1 Abra la tapa del dispensador.



2 Levante el recipiente de dos compartimentos, inclínelo un poco a la izquierda y quítelo del dispensador principal.



3 Quite las tapas que cubren el tubo sifón para la lejía y el suavizante.

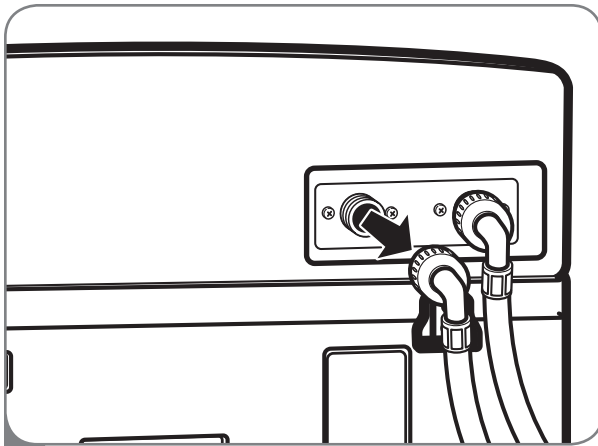
MANTENIMIENTO

Limpieza de los filtros de entrada de agua

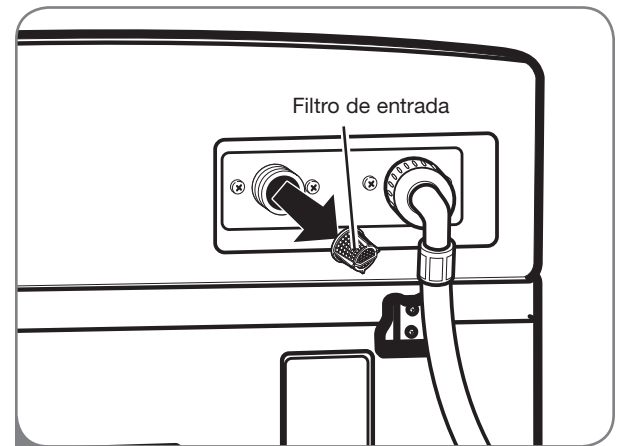
Si la lavadora detecta que el agua no está ingresando al cajón de depósito, se mostrará un mensaje de error en la pantalla. Si vive en una zona de agua dura, esto puede ser el motivo del taponamiento de los filtros de entrada.

IMPORTANTE: Ponga mucho cuidado al quitar y limpiar los filtros. Si no se pueden limpiar los filtros o están dañados, NO ponga en funcionamiento la lavadora sin los filtros de entrada. Póngase en contacto con el Departamento de Atención al Cliente de LG o llame a un técnico de mantenimiento calificado de LG.

IMPORTANTE: Usar SOLAMENTE las mangueras de la entrada proporcionadas por LG de este producto del lavadero. Las mangueras del mercado de accesorios no están garantizadas para caber o para funcionar correctamente. Otras mangueras pueden no apretar correctamente y podrían causar los escapes. El daños subsecuente al producto o a la propiedad no serán cubiertos de conformidad con la garantía de LG.



- 1 Cierre ambas llaves de agua completamente. Desatornille las tuberías de agua caliente y fría de la parte posterior de la lavadora.



- 2 Quite cuidadosamente los filtros de las entradas de agua, luego remójelas en vinagre blanco o un eliminador de depósitos calcáreos, siguiendo las instrucciones del fabricante. Enjuague profundamente antes de reinstalar.

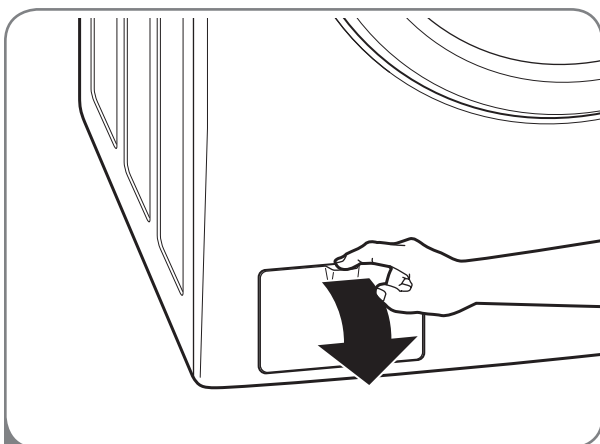
Apriete los filtros nuevamente en su lugar y vuelva a conectar las tuberías de agua. NO ponga en funcionamiento la lavadora sin los filtros de entrada.

MANTENIMIENTO Y LIMPIEZA

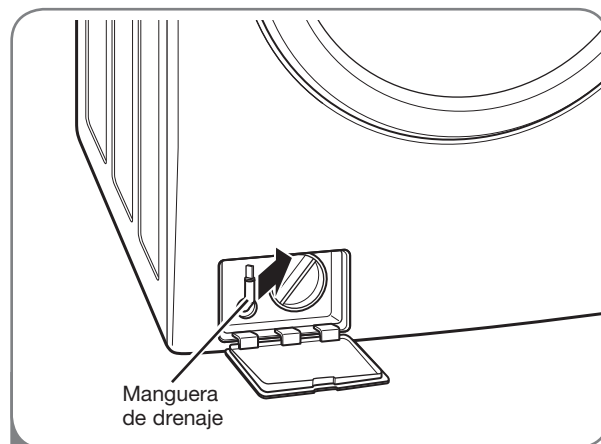
MANTENIMIENTO (cont.)

Limpeza del filtro de la bomba de drenaje

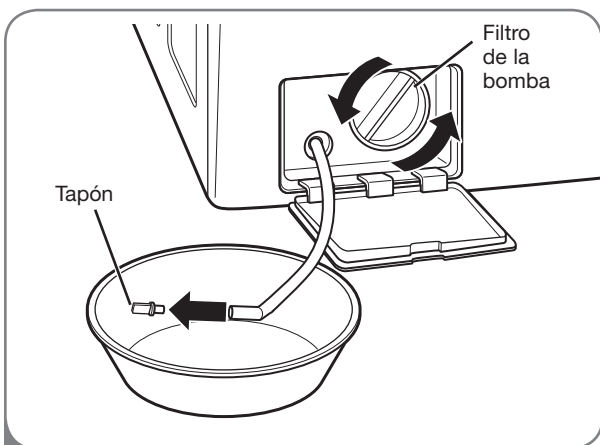
Se pueden acumular pelusas y otros objetos y taponar el filtro de la bomba de drenaje. Si la lavadora no drena adecuadamente, desconéctela y deje enfriar el agua, de ser necesario, antes de continuar.



- 1 Abra el filtro del panel de acceso de la bomba de desagüe.



- 2 Desenganche la manguera de drenaje y tírela hacia fuera. Coloque el extremo de la manguera de drenaje en una cacerola, balde, o drenaje de piso para recoger el agua.



- 3 Quite el tapón de la manguera de drenaje, y deje que el agua drene completamente.

Gire el filtro de la bomba en sentido contrario a las agujas del reloj para quitarlo. Quite cualquier depósito de pelusa o objetos extraños del filtro de la bomba.

Siga las indicaciones anteriores (pero a la inversa) para reinstalar el filtro de la bomba de drenaje y la manguera de drenaje. Asegúrese de cerrar el panel de cubierta cuando haya terminado.

RESOLUCIÓN DE PROBLEMAS

SONIDOS NORMALES QUE PODRÍA ESCUCHAR

Se pueden escuchar los siguientes sonidos mientras la lavadora se encuentra en funcionamiento. Son normales.

Chasquido:

El seguro de la compuerta se vuelve a colocar cuando la misma se cierra y abre.

Sonido de chorro o sibilante:

Chorro de agua o en circulación durante el ciclo.

Zumbido o gorgoteo:


La bomba de drenaje bombea agua de la lavadora al final de un ciclo.

Salpicadura:

Las prendas dan vueltas en el tambor durante los ciclos de lavado y enjuague.

ANTES DE LLAMAR A MANTENIMIENTO


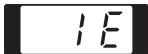

Su lavadora está equipada con un sistema de monitoreo de error automático para la detección y el diagnóstico de problemas en una etapa temprana. Si su lavadora no funciona adecuadamente o no funciona del todo, revise lo siguiente antes de llamar a mantenimiento.

Problema	Causas posibles	Soluciones
Ruidos de traqueteo	<ul style="list-style-type: none"> Objetos extraños, tales como llaves, monedas, o imperdibles, pueden encontrarse en el tambor o bomba. 	<ul style="list-style-type: none"> Detenga la lavadora y revise que no se encuentren objetos extraños en el tambor y el filtro de drenaje. Si el ruido continúa después de que se vuelva a encender la lavadora, llame a mantenimiento.
Sonido de golpes	<ul style="list-style-type: none"> Las cargas pesadas pueden producir sonidos de golpes. La lavadora podría estar desbalanceada. 	<ul style="list-style-type: none"> Esto es normal. Si el sonido continúa, la lavadora probablemente está desbalanceada. Detenga la lavadora y vuelva a distribuir la carga de lavado. Detenga la lavadora y vuelva a distribuir la carga de lavado.
Ruido de vibración	<ul style="list-style-type: none"> No se han quitado los pernos y/o los materiales de embalaje. La carga de lavado podría estar distribuida de manera desigual en el tambor. No todas las patas niveladoras se encuentran apoyadas firmemente en el piso. El piso no es lo suficientemente rígido. 	<ul style="list-style-type: none"> Vea las Instrucciones de instalación para referirse a cómo quitar los pernos de embalaje y el embalaje. Detenga la lavadora y vuelva a distribuir la carga de lavado. Ajuste las patas niveladoras. Asegúrese de que las cuatro patas se encuentren haciendo contacto firme con el piso mientras la lavadora se encuentra en el ciclo de centrifugado con una carga. Asegúrese que el piso es sólido y no flexiona. Refiérase a la sección de <i>instalación</i> "Piso".
Fugas de agua alrededor de la lavadora	<ul style="list-style-type: none"> La conexión de la manguera de llenado está floja en la llave o en la lavadora. Las tuberías de drenaje del hogar están taponadas. 	<ul style="list-style-type: none"> Revise las mangueras. Revise y ajuste las conexiones de la manguera. Destape la tubería de drenaje. Póngase en contacto con un plomero de ser necesario.
Cantidades excesivas de espuma	<ul style="list-style-type: none"> Demasiado detergente o detergente incorrecto. 	<ul style="list-style-type: none"> Reduzca la cantidad de detergente o utilice detergente con baja producción de espuma.  Utilice detergente que porta el logotipo HE (Alta eficiencia) únicamente.
Telas manchadas	<ul style="list-style-type: none"> Agregue detergente en el tambor de la lavadora. No ha descargado la lavadora con rapidez. No han sido clasificadas las prendas correctamente. 	<ul style="list-style-type: none"> Cargue los productos de lavado en los compartimientos adecuados. Siempre remueva artículos de la lavadora tan pronto termine el ciclo. Siempre lave las prendas de colores oscuros separadas de las de colores claros y de color blanco para evitar manchas. De ser posible, no lave prendas muy sucias con otras menos sucias.




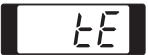
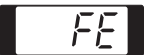

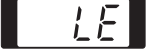

RESOLUCIÓN DE PROBLEMAS

ANTES DE LLAMAR A MANTENIMIENTO (cont.)

Problema	Causas posibles	Soluciones
<p>El agua en la lavadora drena demasiado lento o no drena, o la pantalla muestra:</p> 	<ul style="list-style-type: none"> La manguera de drenaje está doblada, apretada o taponada. El filtro de drenaje está taponado. 	<ul style="list-style-type: none"> Asegúrese de que la manguera de drenaje esté libre de taponamientos, dobladuras, etc., y no está apretada debajo de la lavadora. Limpié el filtro de drenaje. Vea la sección de <i>Instrucciones del mantenimiento para el usuario</i>.
<p>La lavadora se llena con agua lentamente o no se llena del todo, o la pantalla muestra:</p> 	<ul style="list-style-type: none"> Las llaves de agua no están completamente abiertas. Las mangueras de la tubería de agua están curvadas, apretadas o dobladas. Los filtros de la entrada de agua están taponados. La presión de agua hacia la llave u hogar es muy baja. 	<ul style="list-style-type: none"> Asegúrese de que las llaves de agua están abiertas completamente. Asegúrese de que las mangueras de agua no están agarradas o curvadas. Tenga cuidado al transportar la lavadora. Limpié los filtros de entrada. Vea la sección de <i>Instrucciones del mantenimiento para el usuario</i>. Revise otra llave en el hogar para asegurar que la presión de agua del hogar es adecuada.
<p>La lavadora no se enciende</p>	<ul style="list-style-type: none"> El cable eléctrico no está enchufado adecuadamente. El fusible del hogar está quemado, el cortacircuitos se ha accionado, o ha ocurrido una interrupción eléctrica. 	<ul style="list-style-type: none"> Asegúrese de que el enchufe está conectado de manera segura a un tomacorriente de 3 patas, con conexión a tierra de 120 V AC, 60 Hz. Reactive el disyuntor o cambie el fusible. No aumente la capacidad del fusible. Si el problema se debe a una sobrecarga de circuito, pida a un electricista calificado que solucione el problema.
<p>Si la lavadora no centrifuga, o el mensaje indica:</p> 	<ul style="list-style-type: none"> La compuerta no está cerrada adecuadamente. 	<ul style="list-style-type: none"> Asegúrese de que la compuerta está adecuadamente cerrada y apriete el botón INICIO/PAUSA. Después de iniciar un ciclo, puede demorar algunos momentos antes que el tambor empiece a girar o centrifugar. La lavadora no centrifuga a menos que la compuerta esté cerrada (el mensaje DOOR LOCK [seguro de la compuerta] aparecerá en la pantalla). Si la compuerta está cerrada y asegurada y se muestra el mensaje de error de compuerta abierta, llame a mantenimiento.
<p>La compuerta no se abre cuando se ha detenido o pausado el ciclo</p>	<ul style="list-style-type: none"> La temperatura interior de la lavadora es demasiado elevada. El nivel del agua en la lavadora es demasiado alto. 	<ul style="list-style-type: none"> La compuerta de la lavadora dispone de un seguro para prevenir quemaduras. Deje que la lavadora se enfríe hasta que el indicador del DOOR LOCK (seguro de la compuerta) se apague en la pantalla. Deje que la lavadora complete el ciclo programado, o ejecute el ciclo DRAIN & SPIN (drenaje/centrifugado) para drenar el agua.
<p>El tiempo de ciclo de lavado toma más tiempo de lo normal</p>	<ul style="list-style-type: none"> La lavadora programa automáticamente el tiempo de lavado según la cantidad de prendas de lavado, presión del agua, temperatura del agua y otras condiciones de funcionamiento. 	<ul style="list-style-type: none"> Esto es normal. La lavadora programa automáticamente el ciclo de tiempo para brindar resultados óptimos para el ciclo seleccionado.
<p>Olor a humedad o moho en la lavadora</p>	<ul style="list-style-type: none"> Se ha utilizado demasiado detergente o el detergente incorrecto. El interior del lavadero no se ha limpiado adecuadamente. 	<ul style="list-style-type: none"> Utilice detergente de alta eficiencia HE (High-Efficiency) únicamente, según las instrucciones del fabricante. Active el ciclo TUB CLEAN (limpieza de lavadero) de manera regular. Asegúrese de limpiar alrededor y debajo del sello de la compuerta con frecuencia. Limpié alrededor del sellado/vidrio de la puerta para evitar olores o moho: <ol style="list-style-type: none"> Seque con un paño el sellado/vidrio de la puerta y el área de apertura de la puerta. Limpié alrededor del tambor interno/sellado de la puerta y el sellado inferior de la puerta.

RESOLUCIÓN DE PROBLEMAS

ANTES DE LLAMAR A MANTENIMIENTO (cont.)

Problema	Causas posibles	Soluciones
Prendas arrugadas	<ul style="list-style-type: none"> No ha descargado la lavadora con rapidez. Ha sobrecargado la lavadora. Las mangueras de agua han sido invertidas de entrada. 	<ul style="list-style-type: none"> Siempre remueva artículos de la lavadora tan pronto termine el ciclo. Se puede cargar la lavadora completamente, pero el tambor no puede quedar colmado de prendas. La compuerta de la lavadora deberá cerrar con facilidad. El ciclo de enjuague con agua caliente puede aumentar las arrugas. Verifique la conexión de las mangueras.
La pantalla muestra: 	<ul style="list-style-type: none"> La carga es demasiado pequeña. La carga está desbalanceada. La lavadora cuenta con un sistema de detección y corrección de desbalances. Si se cargan artículos pesados individuales (alfombra de baño, bata de baño, etc.) y hay demasiado desbalance, la lavadora realizará algunos intentos para reiniciar el ciclo de centrifugado. Si aún se detecta desbalance, la lavadora se detendrá y se mostrará el código de error. 	<ul style="list-style-type: none"> Añada 1 ó 2 prendas similares para ayudar a balancear la carga. Vuelva a acomodar las prendas para ayudar a balancear la carga.
La pantalla muestra: 	<ul style="list-style-type: none"> Error de control. 	<ul style="list-style-type: none"> Desconecte la lavadora y llame a mantenimiento.
La pantalla muestra: 	<ul style="list-style-type: none"> El nivel del agua es demasiado alto debido a una válvula de agua con falla. 	<ul style="list-style-type: none"> Cierre las llaves de agua, desconecte la lavadora, y llame a mantenimiento.
La pantalla muestra: 	<ul style="list-style-type: none"> El sensor de nivel del agua no está funcionando correctamente. 	<ul style="list-style-type: none"> Cierre las llaves de agua, desconecte la lavadora, y llame a mantenimiento.
La pantalla muestra: 	<ul style="list-style-type: none"> El circuito de protección termal de carga en el motor se ha activado. 	<ul style="list-style-type: none"> Deje la lavadora en espera por 30 minutos para permitir que se enfríe el motor; luego reinicie el ciclo. Si aparece el código de error LE, desenchufe la lavadora y llame a mantenimiento.
La pantalla muestra: 	<ul style="list-style-type: none"> Ha ocurrido un corte de corriente. 	<ul style="list-style-type: none"> Reinicie el ciclo.

ESPECIFICACIONES

DIMENSIONES Y ESPECIFICACIONES CLAVE

El aspecto y las especificaciones enumeradas en esta guía podrían variar debido a mejoras constantes del producto.

STEAM WASHER™ Model WM0742H*A	
Descripción	Lavadora de carga frontal
Requisitos eléctricos	120 V CA a 60 Hz.
Presión de agua máx.	14,5~116 libras por pulgada cuadrada (100~800 kPa)
Dimensiones	68,6 cm (anchura) X 75 cm (prof.) X 111.5 cm (altura), 129,5 cm (profundidad con la compuerta abierta) 27" (anchura) X 29 ¹ / ₂ " (prof.) X 44" (altura), 51" (profundidad con la compuerta abierta)
Peso neto	88 Kg (194 libras)
Presión de agua máx.	1 200 r.p.m.

LG ELECTRONICS, INC. GARANTÍA LIMITADA DE LA LAVADORA LG – EE. UU.



Su máquina lavadora LG será reparada o reemplazada, a discreción de LG, si se comprueba que existe un defecto en el material o la mano de obra bajo condiciones de uso normales, durante el período de garantía (“Período de garantía”) establecido más abajo, vigente desde la fecha (“Fecha de compra”) de la compra del cliente original de producto. Esta garantía es válida únicamente para el comprador original del producto y cuando se usa en EE. UU., incluyendo Alaska, Hawaii, y los territorios de los EE. UU., exclusivamente.

PERÍODO DE GARANTÍA:

MANO DE OBRA: Un año desde la Fecha de compra.

PIEZAS (excepto como se indica más abajo): Un año desde la Fecha de compra.

Tablero electrónico de control: Dos años desde la Fecha de compra.

Motor del tambor(Stator, Rotor, Hall sensor): Siete años desde la Fecha de compra.

Tambor de acero inoxidable: Para toda la vida.

Las unidades de reemplazo y piezas de reparación podrían ser nuevas o refabricadas.

Las unidades de reemplazo o piezas de reparación están garantizadas por la porción restante del período de garantía de la unidad original.

CÓMO SE ADMINISTRA EL MANTENIMIENTO:

Mantenimiento en el hogar “In-Home”:

Guardé la factura fechada del distribuidor o la boleta de entrega como evidencia de la Fecha de compra como prueba para la garantía, y entregue una copia de la factura al técnico de mantenimiento al momento que se presta el mantenimiento.

Llame al 1-800-243-0000 y escoja la opción adecuada para ubicar a su Centro de Mantenimiento Autorizado LG más cercano.

O visite nuestro sitio Web en: <http://www.lgservice.com>.

ESTA GARANTÍA REEMPLAZA CUALQUIER OTRA, EXPRESA O IMPLÍCITA, INCLUYENDO SIN LIMITACIÓN, CUALQUIER GARANTÍA DE COMERCIALIZACIÓN O ADECUACIÓN PARA UN PROPÓSITO DETERMINADO. EN LA MEDIDA REQUERIDA POR LA LEY, CUALQUIER GARANTÍA IMPLÍCITA SE LIMITA EN SU VIGENCIA AL PERÍODO DE GARANTÍA EXPRESA INDICADO MÁS ARRIBA. NI EL FABRICANTE NI EL DISTRIBUIDOR DE LOS EE. UU. SERÁN RESPONSABLES POR DAÑOS INCIDENTALES, CONSECUENCIALES, INDIRECTOS, ESPECIALES O PUNITIVOS DE CUALQUIER NATURALEZA INCLUYENDO SIN LIMITACIÓN, PÉRDIDA DE GANANCIAS O INGRESOS, O CUALQUIER OTRA CLASE DE DAÑOS, CONTRACTUALES, EXTRACONTRACTUALES, O DE CUALQUIER TIPO. Algunos estados no permiten la exclusión o limitación de daños incidentales o consecuenciales o limitación en la duración de una garantía implícita, de modo que la exclusión o limitación indicada anteriormente podría no aplicar en su caso. Esta garantía le brinda derechos legales específicos y podría también tener otros derechos que varían según el estado.

ESTA GARANTÍA LIMITADA NO APLICA A:

- Viajes de mantenimiento desde su hogar para entrega, recepción y/o instalación del producto, instrucción o reemplazo de fusibles del hogar o cableado adecuado o corrección de reparaciones no autorizadas.
- Los daños o problemas operativos que resulten de la negligencia en el uso, el abuso, el funcionamiento fuera de las especificaciones medioambientales o inconsistentes con los requisitos de precauciones establecidos en la Guía de funcionamiento, accidente, insectos, incendio, inundación, instalación inadecuada, casos de fuerza mayor, modificación o alteración no autorizada, corriente o voltaje incorrectos, o uso comercial, o uso diferente al indicado.

El costo de reparación o reemplazo bajo estas circunstancias excluidas será responsabilidad del cliente.

NÚMEROS DE CENTROS INTERACTIVOS DE CLIENTE

Para obtener Asistencia para el cliente, información del producto o mantenimiento o distribuidor autorizado:

Llame al 1-800-243-0000 (24 horas al día, 365 días al año), y seleccione la opción adecuada a partir del menú.

O visite nuestro sitio Web en: <http://www.lgservice.com>.

PARA CONTACTAR A LG ELECTRONICS POR CORREO:

LG Customer Interactive Center
P. O. Box 240007
201 James Record Road
Huntsville, Alabama 35824
ATTN: CIC

NOTAS



